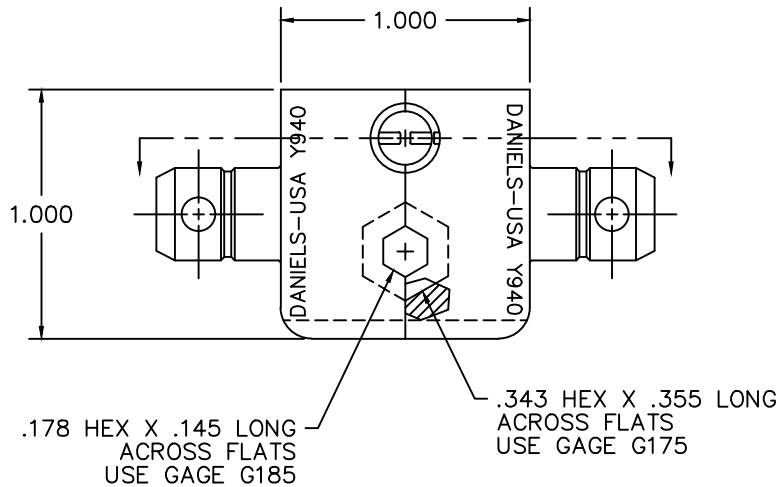
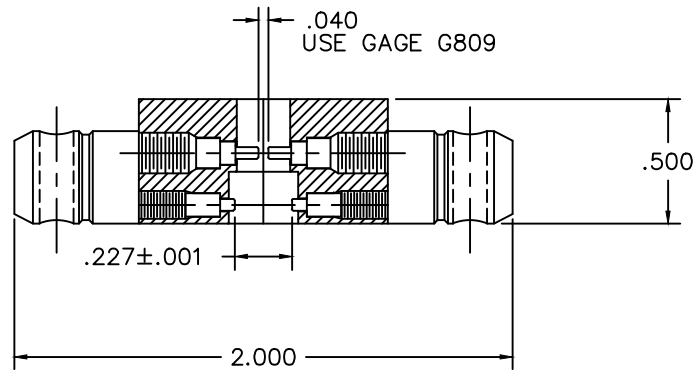



REVISIONS				
REV. SYM.	E.C.O. NUMBER	DESCRIPTION	BY DATE	APP'D DATE
1		ORIGINAL RELEASE	D.A.D. 3-20-97	DE 3-97
2		UPDATED	ENF 12-26-13	RRR 12-26-13



**UNCONTROLLED DOCUMENT
WILL NOT BE UPDATED**

1. FUNCTIONAL EQUIVALENT TO KTH-2175.

NOTES:

RESTRICTED & CONFIDENTIAL CONFIDENTIAL PROPERTY OF DANIELS MANUFACTURING CORP. NOT TO BE DISCLOSED TO OTHERS, REPRODUCED OR USED FOR ANY OTHER PURPOSE, EXCEPT AS AUTHORIZED IN WRITING BY DANIELS MANUFACTURING. MUST BE RETURNED TO DANIELS MANUFACTURING CORP. ON COMPLETION OF ORDER OR OTHER PURPOSE FOR WHICH LENT.		MATERIAL		ITEM	PART NO.	QTY.	DESCRIPTION/REMARKS					
		HEAT TREAT		DRN.	D.DEPAIVA	DATE	3/20/97	 DANIELS MANUFACTURING CORP. ORLANDO, FLORIDA CAGE 11851				
DO NOT SCALE DRAWING		FINISH		CHK'D.	DE	DATE	3/97			TITLE DIE SET ENVELOPE DRAWING		
		NOTE: THIS DRAWING IS AN OUTLINE DRAWING OF THE RESPECTIVE DMC PART NUMBER INDICATED. ACTUAL DMC PART NUMBER IS DRAWING NUMBER WITHOUT THE "-ENV" SUFFIX.		APP'D.		DATE		WHERE USED:				
				APP'D.		DATE		SIZE B	SCALE 2X	CAD P/N Y940-ENV	SHEET 1	OF 1
				POSTING		DWG. NO. Y940-ENV		REV. 2				