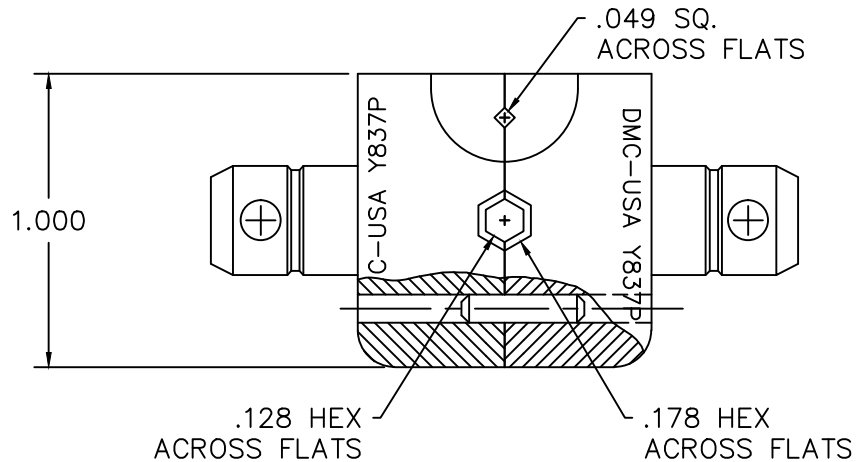


REVISIONS				
REV. SYM.	E.C.O. NUMBER	DESCRIPTION	BY DATE	APP'D DATE
1		ORIGINAL RELEASE	JWJ 9/21/01	RRR 9/21/01



**UNCONTROLLED DOCUMENT  
WILL NOT BE UPDATED**

<b>RESTRICTED &amp; CONFIDENTIAL</b>  CONFIDENTIAL PROPERTY OF DANIELS MANUFACTURING CORP. NOT TO BE DISCLOSED TO OTHERS, REPRODUCED OR USED FOR ANY OTHER PURPOSE, EXCEPT AS AUTHORIZED IN WRITING BY DANIELS MANUFACTURING. MUST BE RETURNED TO DANIELS MANUFACTURING CORP. ON COMPLETION OF ORDER OR OTHER PURPOSE FOR WHICH LENT.  <b>DO NOT SCALE DRAWING</b>	MATERIAL	ITEM		PART NO.		QTY.	DESCRIPTION/REMARKS			
	HEAT TREAT	DRN.	J. JOYCE	DATE	9/21/01	<b>DANIELS MANUFACTURING CORP.</b> ORLANDO, FLORIDA CAGE 11851	<b>TITLE</b> DIE SET ENVELOPE DRAWING			
	FINISH	CHK'D.	RRR	DATE	9/21/01					
			APP'D.		DATE		WHERE USED:			
		APP'D.		DATE		SIZE	SCALE	CAD P/N	SHEET	OF
		NOTE: THIS DRAWING IS AN OUTLINE DRAWING OF THE RESPECTIVE DMC PART NUMBER INDICATED. ACTUAL DMC PART NUMBER IS DRAWING NUMBER WITHOUT THE "-ENV" SUFFIX.				B	NTS	Y837P-ENV	1	1
						POSTING	DWG. NO.		REV.	
						Y837P-ENV		1		