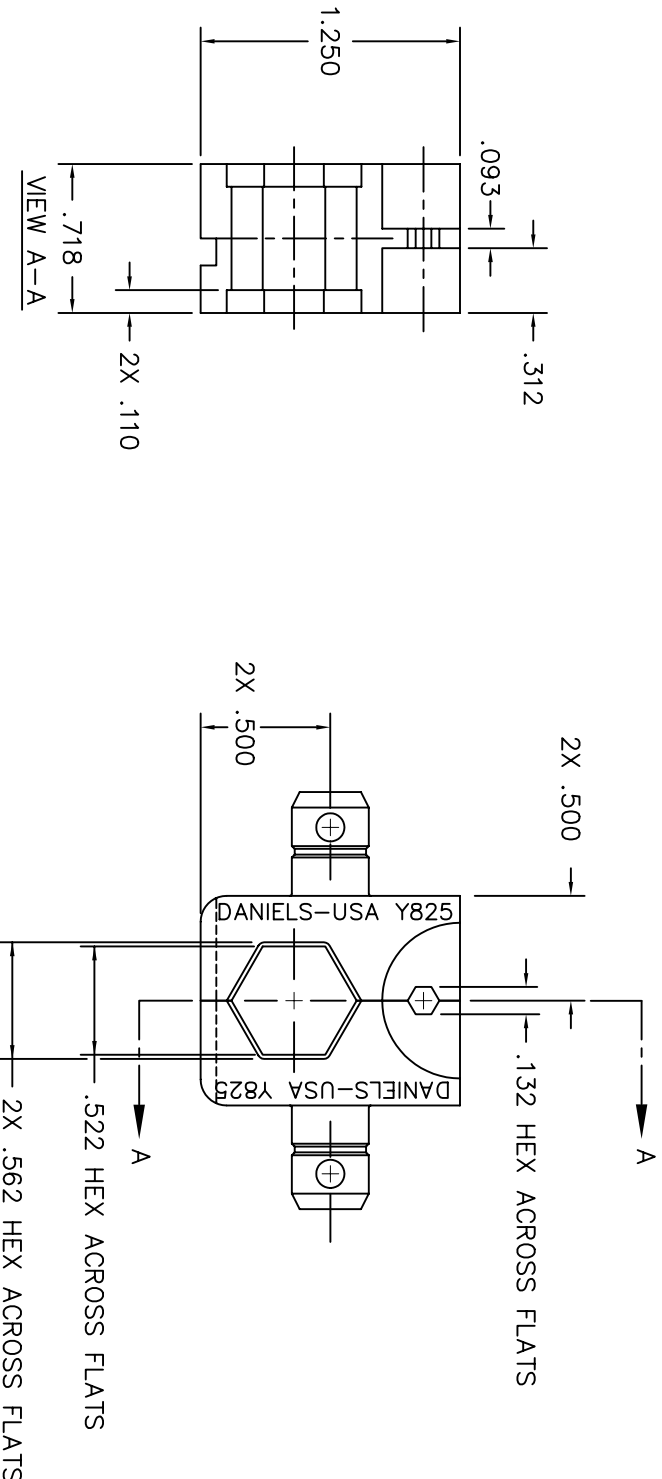


REVISIONS					
REV. SYM.	E.C.O. NUMBER	DESCRIPTION	BY DATE	APP'D. DATE	REV.
1		ORIGINAL RELEASE	DAD 1-27-93	DE 1-93	



**UNCONTROLLED DOCUMENT
WILL NOT BE UPDATED**

RESTRICTED & CONFIDENTIAL CONFIDENTIAL PROPERTY OF DANIELS MANUFACTURING CORP. NOT TO BE DISCLOSED TO OTHERS, REPRODUCED OR USED FOR ANY OTHER PURPOSE, EXCEPT AS AUTHORIZED IN WRITING BY DANIELS MANUFACTURING. MUST BE RETURNED TO DANIELS MANUFACTURING CORP. ON COMPLETION OF ORDER OR OTHER PURPOSE FOR WHICH LENT.		MATERIAL		HEAT TREAT		FINISH	
		DO NOT SCALE DRAWING					
ITEM	PART NO.	QTY.	DESCRIPTION/REMARKS				
DRAWN D. DEPAIVA	DATE 1-27-93		DMC DANIELS MANUFACTURING CORP. ORLANDO, FLORIDA CAGE 11851				
CHK'D. DE	DATE 1-93						
APP'D.	DATE						
NOTE: THIS DRAWING IS AN OUTLINE DRAWING OF THE RESPECTIVE INDICATED. ACTUAL DMC PART NUMBER IS DRAWING NUMBER WITHOUT THE "-ENV" SUFFIX.							
WHERE USED:		SCALE	CAD P/N	SHEET	OF	REV.	
		B 1:5X	Y825-ENV	1	1	1	
		POSTING	DWG. NO. Y825-ENV				

1. FUNCTIONAL EQUIVALENT TO KINGS KTH2177.
NOTES: