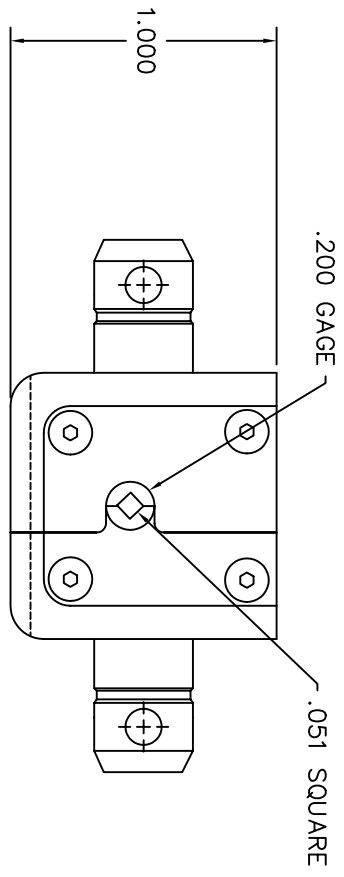
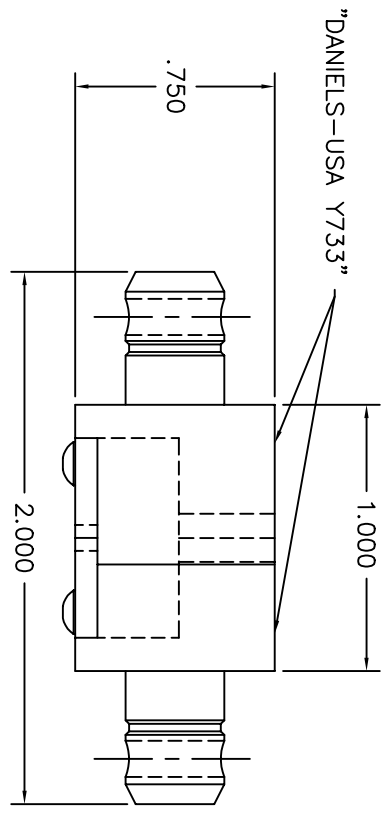


REVISIONS			
REV. SYM.	E.C.O. NUMBER	DESCRIPTION	BY DATE DATE DATE
1		ORIGINAL RELEASE	6/2/93 6/93



**UNCONTROLLED DOCUMENT
WILL NOT BE UPDATED**

RESTRICTED & CONFIDENTIAL
CONFIDENTIAL PROPERTY OF DANIELS MANUFACTURING CORP. NOT TO BE DISCLOSED TO OTHERS, REPRODUCED OR USED FOR ANY OTHER PURPOSE, EXCEPT AS AUTHORIZED IN WRITING BY DANIELS MANUFACTURING. THIS DOCUMENT IS CONFIDENTIAL AND IS TO BE USED ONLY IN CONNECTION WITH THE ORDER OR OTHER PURPOSE FOR WHICH INT.

MATERIAL
FINISH
HEAT TREAT

ITEM	PART NO.	QTY.	DESCRIPTION/REMARKS
DRN. MC	DATE 6/2/93		
CHKD. DE	DATE 12-11-85		
APPD.	DATE		
APPD.	DATE		

NOTE: THIS DRAWING IS AN OUTLINE DRAWING OF THE RESPECTIVE PART NUMBER INDICATED AND THE PART NUMBER IS DRAWING NUMBER WITHOUT THE "ENV" SUFFIX.

WHERE USED:
SIZE B
SCALE NTS
POSTING

CAD P/N Y733-ENV
SHEET 1 OF 1

DESCRIPTION/REMARKS
DIE SET ENVELOPE DRAWING
DANIELS MANUFACTURING CORP.
ORLANDO, FLORIDA
CAGE 11851

1. FUNCTIONAL EQUIVALENT TO AMP 69223-1.
NOTES:

DO NOT SCALE DRAWING

FINISH

NOTE: THIS DRAWING IS AN OUTLINE DRAWING OF THE RESPECTIVE PART NUMBER INDICATED AND THE PART NUMBER IS DRAWING NUMBER WITHOUT THE "ENV" SUFFIX.

WHERE USED:
SIZE B
SCALE NTS
POSTING

CAD P/N Y733-ENV
SHEET 1 OF 1

DESCRIPTION/REMARKS
DIE SET ENVELOPE DRAWING
DANIELS MANUFACTURING CORP.
ORLANDO, FLORIDA
CAGE 11851