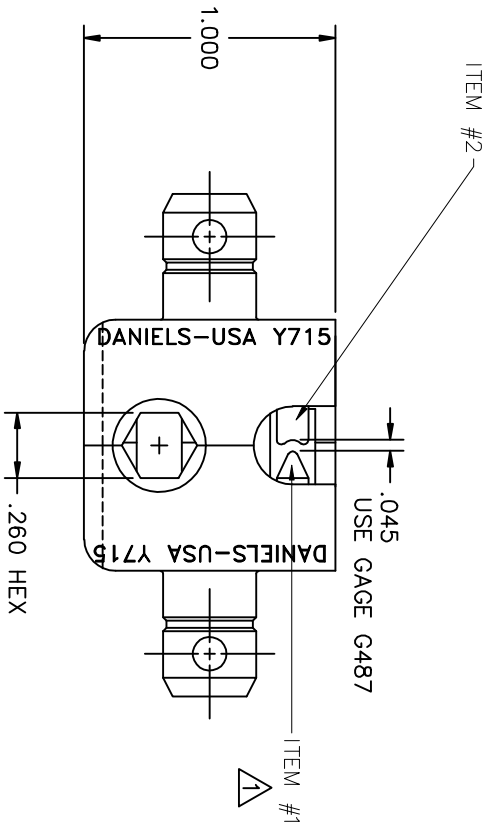
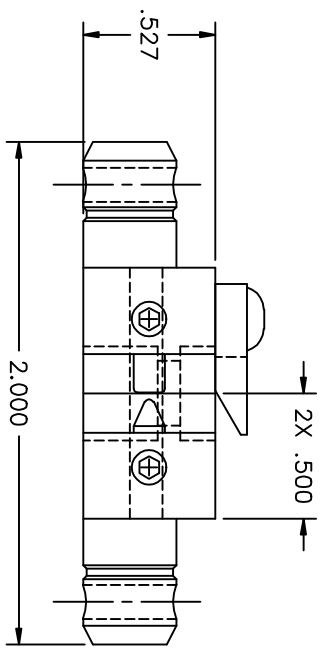


| REVISIONS  |               |                 |                         |
|------------|---------------|-----------------|-------------------------|
| REV. STYL. | E.C.O. NUMBER | DESCRIPTION     | BY DATE APP'D DATE      |
| 2          |               | UPDATED SETTING | ENR 1-18-10 RRR 1-18-10 |

**UNCONTROLLED DOCUMENT  
WILL NOT BE UPDATED**



.260 HEX  
ACROSS FLATS  
USE GAGE G467

.045  
USE GAGE G487

|   |               |  |                     |
|---|---------------|--|---------------------|
| <b>RESTRICTED &amp; CONFIDENTIAL</b>  |               | CONFERENTIAL PROPERTY OF DANIELS MANUFACTURING CORP. NOT TO BE DISCLOSED TO OTHERS, REPRODUCED OR USED FOR ANY OTHER PURPOSE, EXCEPT AS AUTHORIZED IN WRITING BY DANIELS MANUFACTURING. MUST BE RETURNED TO DANIELS MANUFACTURING CORP. WITHIN 10 DAYS OF ORDER OR OTHER PURPOSE FOR WHICH LENT. |                     |
| MATERIAL  | HEAT TREAT    | FINISH   |                     |
| ITEM  | PART NO.      | QTY.   | DESCRIPTION/REMARKS |
| DRN. J. JOYCE   | DATE 10/16/98 |  |                     |
| CHK'D. DE   | DATE 10/26/98 |  |                     |
| APP'D.  | DATE          |  |                     |
| APP'D.  | DATE          |  |                     |
| <b>NOTE:</b><br>THIS DRAWING IS AN OUTLINE DRAWING. PART NUMBERS INDICATED, ACTUAL DMC PART NUMBER IS DRAWING NUMBER WITHOUT THE -ENV SUFFIX. |               |  |                     |
| WHERE USED:   |               | CAD P/L  | SHEET               |
| DIE SET   |               | Y715-ENV   | 1                   |
| ENVELOPE DRAWING  |               | Y715-ENV   | 1                   |
| DO NOT SCALE DRAWING  |               | DMC NO.  | REV.                |
|   |               | Y715-ENV   | 2                   |

△ SET ITEM 1 FLUSH WITH DIE FACE AND LOCK; ADJUST GAGING WITH ITEM 2.