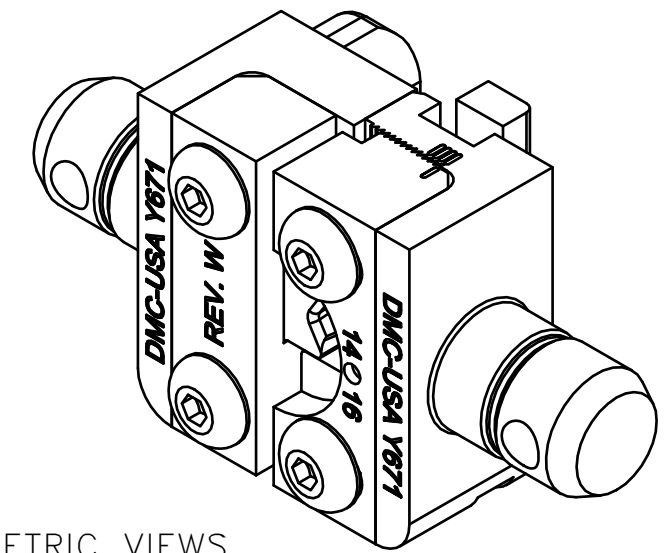
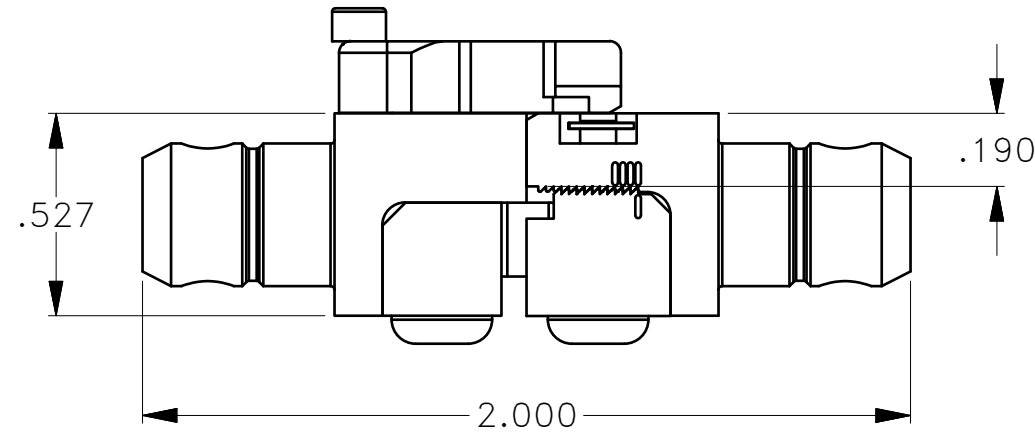


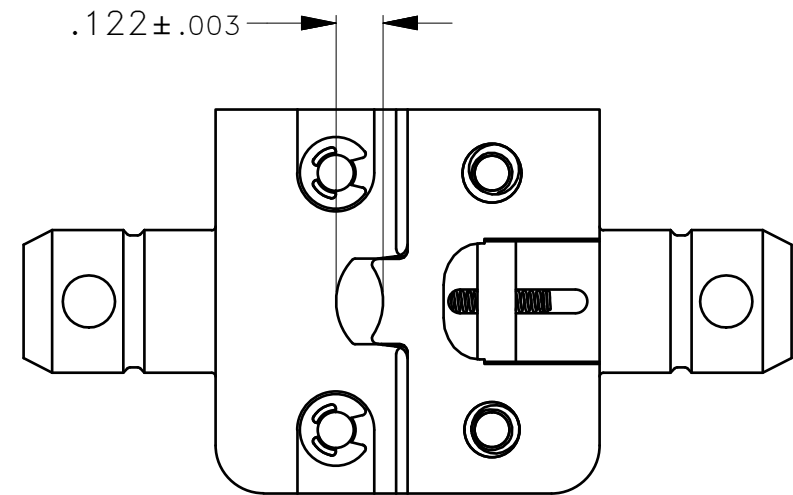
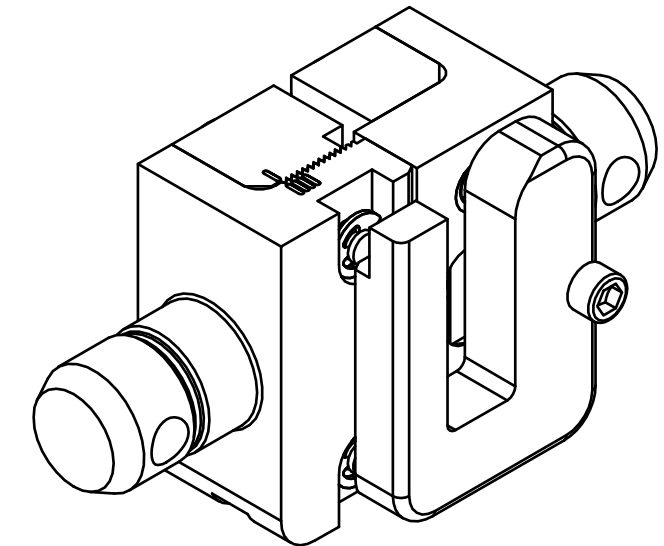
USERS MUST ASSURE THEY ARE USING THE CORRECT REVISION.

REVISIONS				
REV SYM	ECO NUMBER	DESCRIPTION	BY DATE	APP'D DATE
2		ADDED GAGE	TS 6.22.88	DH 6.22.88
3		UPDATED DRAWING TO NEW DESIGN	K. KOONS 8.15.13	
4		ADDED SHEET 2	ENF 1-12-16	RRR 1-12-16

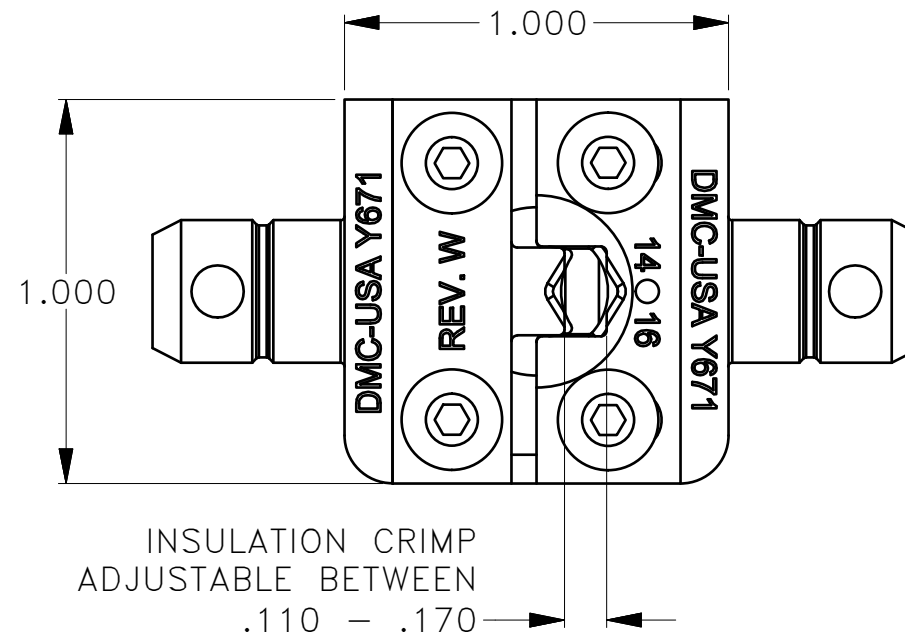
**UNCONTROLLED DOCUMENT  
WILL NOT BE UPDATED**  
DIMENSIONS IN INCHES - UNLESS OTHERWISE SPECIFIED



ISOMETRIC VIEWS



BACK VIEW  
LOCATOR REMOVED TO SHOW  
CONDUCTOR GAGING

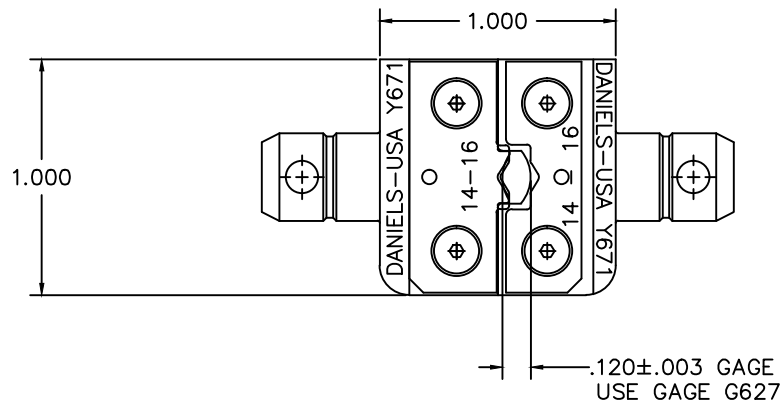
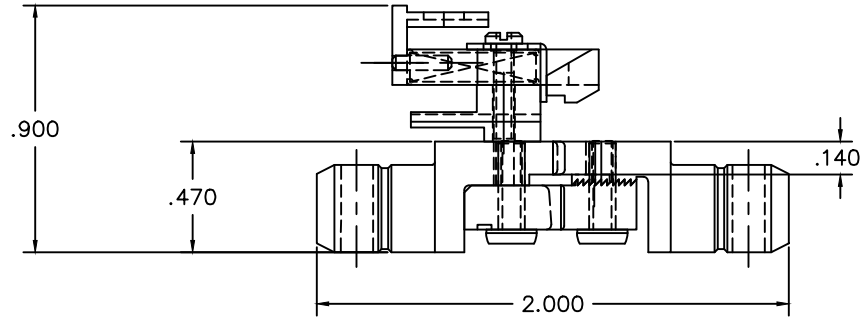


INSULATION CRIMP  
ADJUSTABLE BETWEEN  
.110 - .170

- NOTES:
3. SEE PAGE 2 FOR OLDER REVISION GAGING INFORMATION
  2. CHECK CONDUCTOR GAGING WITH G768.
  1. FOR AS7928, MS17143, & MS25036 TERMINALS: BLUE INSULATED, 14-16 AWG.


<p><b>RESTRICTED &amp; CONFIDENTIAL</b></p> <p>CONFIDENTIAL PROPERTY OF DANIELS MANUFACTURING CORP. NOT TO BE DISCLOSED TO OTHERS, REPRODUCED OR USED FOR ANY OTHER PURPOSE EXCEPT AS AUTHORIZED IN WRITING BY DANIELS MANUFACTURING. MUST BE RETURNED TO DANIELS MANUFACTURING CORP. ON COMPLETION OF ORDER OR OTHER PURPOSE FOR WHICH LENT.</p> <p>CREATED FROM AN INVENTOR MODEL. CHANGES MUST BE REFLECTED IN THE 3D PART</p> <p>DO NOT SCALE DRAWING</p>	MATERIAL	ITEM		PART NO.	QTY.	DESCRIPTION/REMARKS	
	N/A	DRN.	DATE	DANIELS MANUFACTURING CORP. ORLANDO, FLORIDA CAGE 11851	DIE SET, 14-16 AWG, INSULATED		
	HEAT TREAT	Kirk C Koons	6/8/2012				
	N/A	APP'D.	DATE	WHERE USED:	SIZE	SCALE	CAD P/N
FINISH	N/A	APP'D.	DATE	B	2 : 1	Y671-ENV	1 2
		NOTE:		POSTING	DWG. NO.	REV.	
		THIS DRAWING IS AN OUTLINE DRAWING OF THE RESPECTIVE DMC PART NUMBER INDICATED. ACTUAL DMC PART NUMBER IS DRAWING NUMBER WITHOUT THE "-ENV" SUFFIX			Y671-ENV	4	

REVISIONS				
REV. SYM.	E.C.O. NUMBER	DESCRIPTION	BY DATE	APP'D DATE



OLD GAGING FOR  
PREVIOUS REVISION DIE  
SETS (NOT MARKED WITH  
REVISION LETTER)

**UNCONTROLLED DOCUMENT  
WILL NOT BE UPDATED**

<b>RESTRICTED &amp; CONFIDENTIAL</b> CONFIDENTIAL PROPERTY OF DANIELS MANUFACTURING CORP. NOT TO BE DISCLOSED TO OTHERS, REPRODUCED OR USED FOR ANY OTHER PURPOSE, EXCEPT AS AUTHORIZED IN WRITING BY DANIELS MANUFACTURING. MUST BE RETURNED TO DANIELS MANUFACTURING CORP. ON COMPLETION OF ORDER OR OTHER PURPOSE FOR WHICH LENT.		MATERIAL		ITEM	PART NO.	QTY.	DESCRIPTION/REMARKS
DO NOT SCALE DRAWING		HEAT TREAT		DRN.	TS	DATE	 <b>DANIELS MANUFACTURING CORP.</b> ORLANDO, FLORIDA CAGE 11851
				CHK'D.	DH	DATE	
				APP'D.	AAM	DATE	DIE SET
				APP'D.		DATE	ENVELOPE DRAWING
		FINISH		NOTE: THIS DRAWING IS AN OUTLINE DRAWING OF THE RESPECTIVE DMC PART NUMBER INDICATED. ACTUAL DMC PART NUMBER IS DRAWING NUMBER WITHOUT THE "-ENV" SUFFIX.		WHERE USED:	
				SIZE	SCALE	CAD P/N	SHEET OF
				B	NTS	Y671-ENV	2 2
				POSTING		DWG. NO.	REV.
						Y671-ENV	4