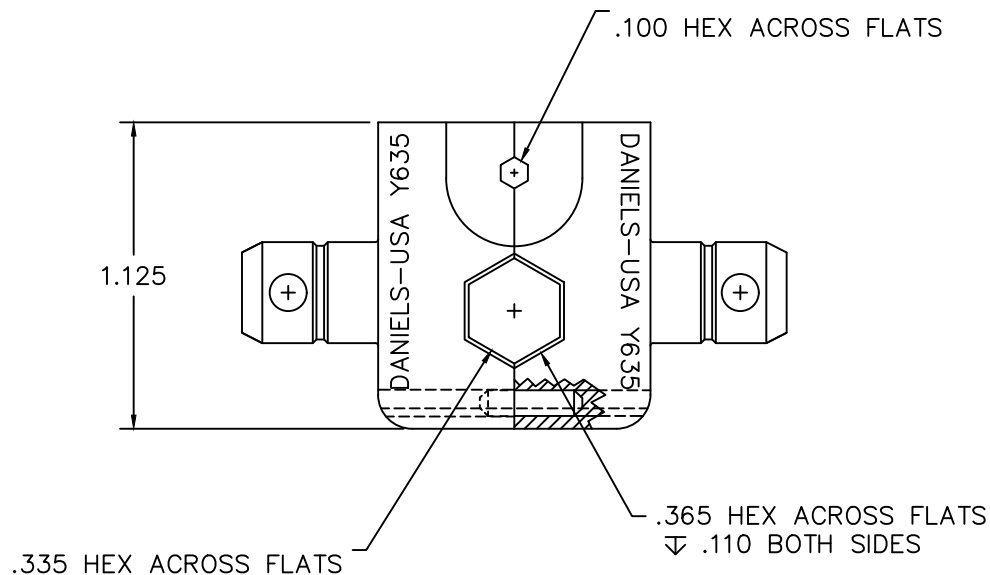



REVISIONS				
REV. SYM.	E.C.O. NUMBER	DESCRIPTION	BY DATE	APP'D DATE
1		ORIGINAL RELEASE	TS 2/27/89	DH 2/27/89
2		REVISED GAGES	JWJ 12/11/98	RRR 12/11/98
3		REMOVED GAGES	IMG 10/09/19	



**UNCONTROLLED DOCUMENT  
WILL NOT BE UPDATED**

1. FUNCTIONALLY EQUIVALENT TO KINGS KTH2127.

NOTES:

<b>RESTRICTED &amp; CONFIDENTIAL</b> CONFIDENTIAL PROPERTY OF DANIELS MANUFACTURING CORP. NOT TO BE DISCLOSED TO OTHERS, REPRODUCED OR USED FOR ANY OTHER PURPOSE, EXCEPT AS AUTHORIZED IN WRITING BY DANIELS MANUFACTURING. MUST BE RETURNED TO DANIELS MANUFACTURING CORP. ON COMPLETION OF ORDER OR OTHER PURPOSE FOR WHICH LENT.	MATERIAL	ITEM	PART NO.	QTY.	DESCRIPTION/REMARKS		
	HEAT TREAT	DRN.	TS	DATE 2/27/89	 DANIELS MANUFACTURING CORP. ORLANDO, FLORIDA CAGE 11851		
	FINISH	CHK'D.	DH	DATE 2/28/89		TITLE	
		APP'D.	EN	DATE 2/28/89		DIE SET ENVELOPE DRAWING	
APP'D.		AAM	DATE 3/1/89	WHERE USED:			
DO NOT SCALE DRAWING		NOTE: THIS DRAWING IS AN OUTLINE DRAWING OF THE RESPECTIVE DMC PART NUMBER INDICATED. ACTUAL DMC PART NUMBER IS DRAWING NUMBER WITHOUT THE "-ENV" SUFFIX.		SIZE B	SCALE 2X	CAD P/N Y635-ENV	SHEET 1 OF 1
		POSTING	DWG. NO.	REV.			
			Y635-ENV	3			