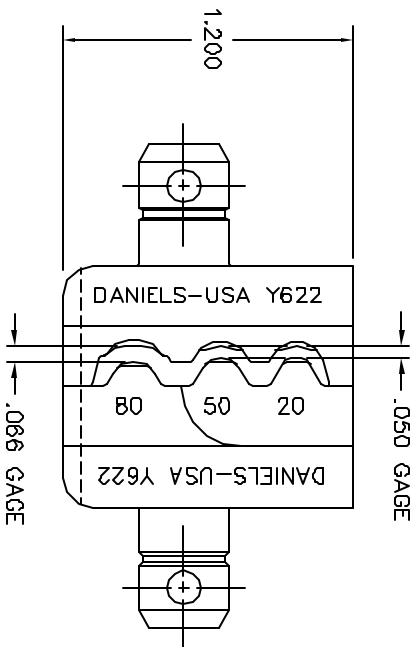
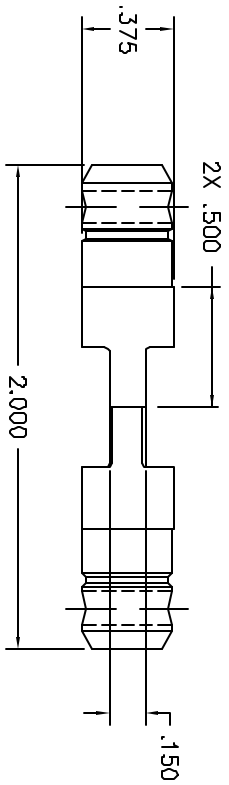


REVISIONS			
REV. NUMBER	DESCRIPTION	BY DATE	APPR. DATE
1	ORIGINAL RELEASE	6/27/90	6/90



**UNCONTROLLED DOCUMENT
WILL NOT BE UPDATED**

1. REFERENCE T&B WT137.
NOTES:

RESTRICTED & CONFIDENTIAL		MATERIAL		ITEM		PART NO.		QTY.		DESCRIPTION/REMARKS	
CONFIDENTIAL PROPERTY OF DANIELS MANUFACTURING CORP. NOT TO BE REPRODUCED OR TRANSMITTED IN ANY FORM OR BY ANY MEANS, ELECTRONIC OR MECHANICAL, INCLUDING PHOTOCOPYING, RECORDING, OR BY ANY INFORMATION STORAGE AND RETRIEVAL SYSTEM, WITHOUT THE WRITTEN PERMISSION OF DANIELS MANUFACTURING CORP. WHICH LEHNS.		HEAT TREAT		DRW	PD	DATE	8/21/90			DANIELS-USA Y622 DANIELS MANUFACTURING CORP. ORLANDO, FLORIDA GAGE 11851	
		FINISH		CHK'D	YGV	DATE	8/23/90				
DO NOT SCALE DRAWING				APPL	AM	DATE	8/22/90				
				NOTE: THIS DRAWING IS AN OUTLINE DRAWING OF THE RESERVE DIE AND PART NUMBER INDICATED. ACTUAL DIE PART NUMBER WITHOUT THE "-ENV" SUFFIX.		WHERE USED: SIZE SCALE B 2X		CAD P/N Y622-ENV		SHEET OF 1 1	
								DWS NO. Y622-ENV			