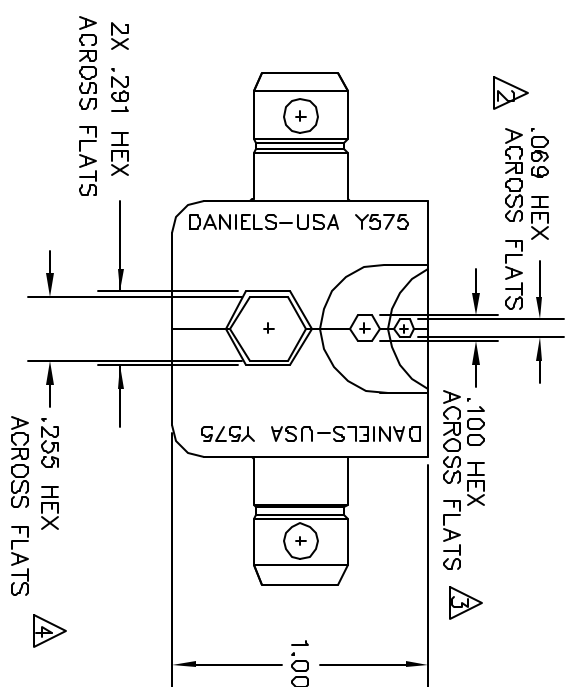
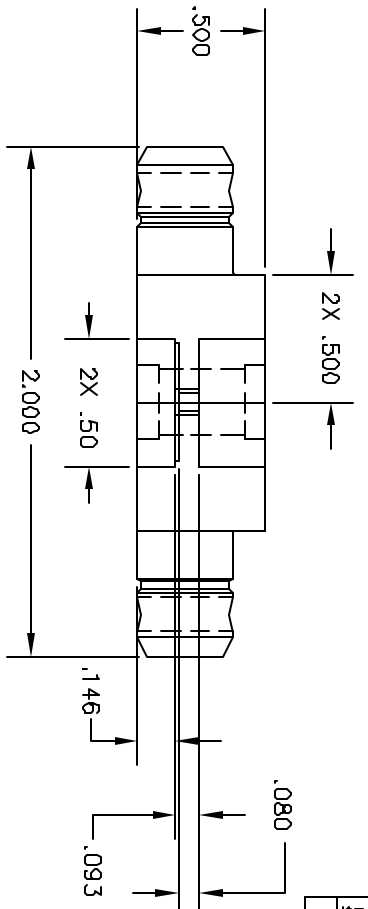


REVISIONS			
REV. STAMP	REV. NUMBER	DESCRIPTION	DATE
3		REVISED GAGES	4/29/02
			4/29/02



**UNCONTROLLED DOCUMENT
WILL NOT BE UPDATED**

- △ USE GAGE G170.
- △ USE GAGE G208.
- △ USE GAGE G292.

1. FUNCTIONALLY EQUIVALENT TO KINGS KTH2062.
NOTES:

RESTRICTED & CONFIDENTIAL		MATERIAL		ITEM		PART NO.		QTY.		DESCRIPTION/REMARKS	
CONFIDENTIAL PROPERTY OF DANIELS MANUFACTURING CORP. NOT TO BE REPRODUCED OR USED FOR ANY OTHER PURPOSE EXCEPT AS AUTHORIZED IN WRITING BY DANIELS MANUFACTURING. MUST BE RETURNED TO DANIELS MANUFACTURING CORP. ON COMPLETION OF ORDER OR OTHER PURPOSE FOR WHICH Lent.		HEAT TREAT		DRW. DATE		M. CARRERO 10/3/05		CHK'D. DATE		DE 10/26/05	
		FINISH		APPR'D.		APPR'D.		DATE		DATE	
		DO NOT SCALE DRAWING		APPR'D.		DATE		DATE		DATE	
		DO NOT SCALE DRAWING		APPR'D.		DATE		DATE		DATE	
WHERE USED:		SIZE		SCALE		DWD P/N		SHEET		OF	
DO NOT SCALE DRAWING		B		2X		Y575-ENV		1		1	
DO NOT SCALE DRAWING		P/N		Y575-ENV		REV		3		3	