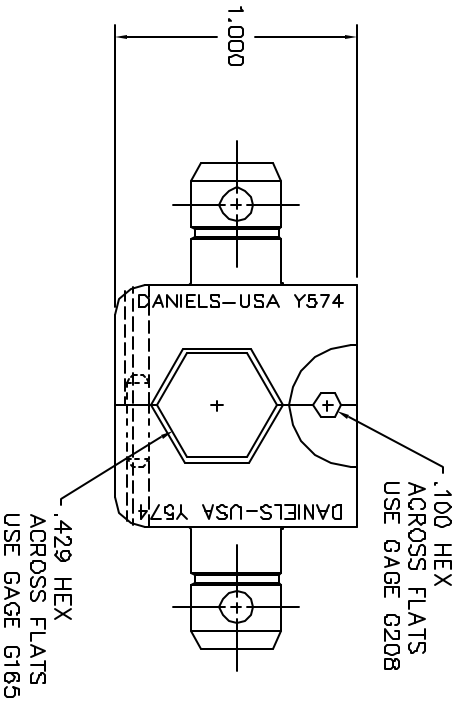
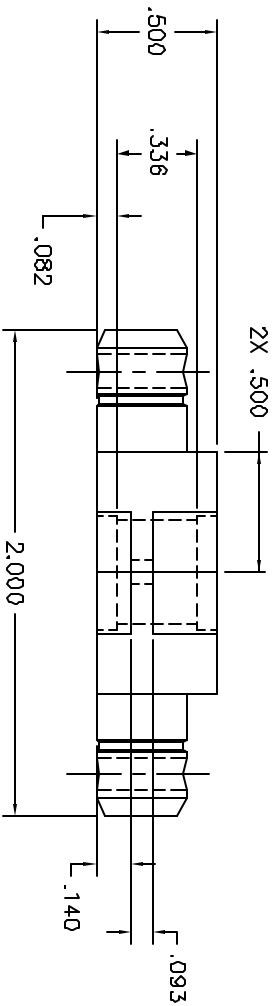


REVISIONS				
REV. NUMBER	ECO# NUMBER	DESCRIPTION	BY DATE	APP'D DATE
1		ORIGINAL RELEASE	2/22/09	2/22/09



**UNCONTROLLED DOCUMENT
WILL NOT BE UPDATED**

1. FUNCTIONALLY EQUIVALENT TO KTH2064.
NOTES:

RESTRICTED & CONFIDENTIAL CONFIDENTIAL PROPERTY OF DANIELS MANUFACTURING CORP. NOT TO BE REPRODUCED OR TRANSMITTED IN ANY FORM OR BY ANY MEANS, ELECTRONIC OR MECHANICAL, INCLUDING PHOTOCOPYING, RECORDING, OR BY ANY INFORMATION STORAGE AND RETRIEVAL SYSTEM, WITHOUT PERMISSION IN WRITING FROM DANIELS MANUFACTURING CORP. ALL RIGHTS RESERVED. THIS DOCUMENT IS THE PROPERTY OF DANIELS MANUFACTURING CORP. AND IS LOANED TO YOU BY DANIELS MANUFACTURING CORP. IT IS TO BE RETURNED TO DANIELS MANUFACTURING CORP. UPON COMPLETION OF ORDER OR AS DIRECTED BY DANIELS MANUFACTURING CORP.		MATERIAL		ITEM		PART NO.		QTY.		DESCRIPTION/REMARKS																											
		HEAT TREAT		FINISH	DO NOT SCALE DRAWING	DRN	JS	DATE	2/25/09	EN	DATE	2/22/09	APPRD	AAW	DATE	2/22/09	WHERE USED	SCALE	2/1	CHG P/N	Y574-ENV	SHEET	1	OF	1	REV	1										
DIE SET ENVELOPE DRAWING												TITLE		DIE SET ENVELOPE DRAWING		WHERE USED		SCALE		2/1		CHG P/N		Y574-ENV		SHEET		1		OF		1		REV		1	