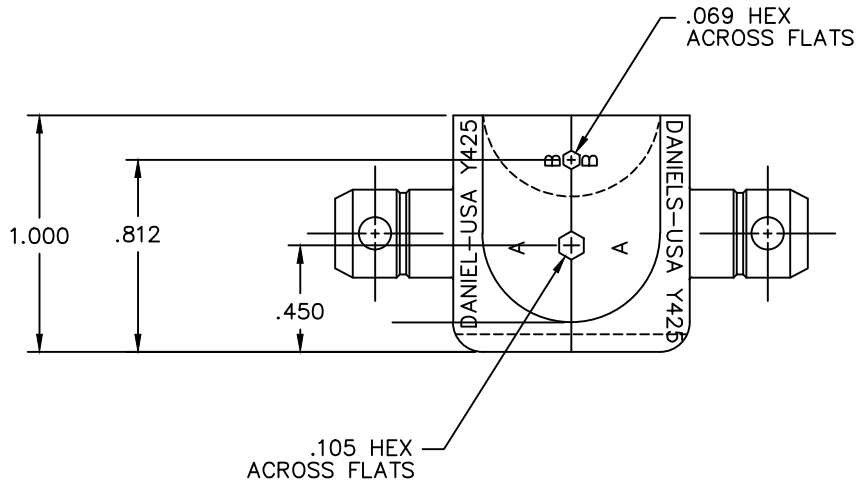
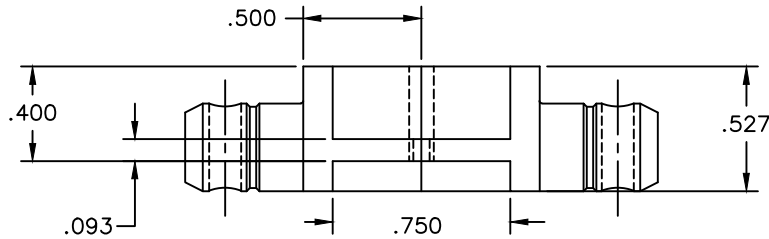


REVISIONS				
REV. SYM.	E.C.O. NUMBER	DESCRIPTION	BY DATE	APP'D DATE
1		ORIGINAL RELEASE	K. KOONS 3.17.15	



**UNCONTROLLED DOCUMENT
WILL NOT BE UPDATED**
DIMENSIONS IN INCHES - UNLESS OTHERWISE SPECIFIED

NOTES:

RESTRICTED & CONFIDENTIAL CONFIDENTIAL PROPERTY OF DANIELS MANUFACTURING CORP. NOT TO BE DISCLOSED TO OTHERS, REPRODUCED OR USED FOR ANY OTHER PURPOSE, EXCEPT AS AUTHORIZED IN WRITING BY DANIELS MANUFACTURING. MUST BE RETURNED TO DANIELS MANUFACTURING CORP. ON COMPLETION OF ORDER OR OTHER PURPOSE FOR WHICH LENT.	MATERIAL N/A	ITEM DRN K. KOONS CHK'D.	PART NO.	QTY.	DESCRIPTION/REMARKS
	HEAT TREAT N/A	DATE 3.17.15 DATE			DMC DANIELS MANUFACTURING CORP. ORLANDO, FLORIDA CAGE 11851
DO NOT SCALE DRAWING	FINISH N/A	APP'D.	DATE	APP'D.	DATE
		NOTE: THIS DRAWING IS AN OUTLINE DRAWING OF THE RESPECTIVE DMC PART NUMBER INDICATED. ACTUAL DMC PART NUMBER IS DRAWING NUMBER WITHOUT THE "-ENV" SUFFIX		TITLE DIE SET ENVELOPE DRAWING	
		WHERE USED:	SIZE B	SCALE NTS	DWG. NO. Y425-ENV
			POSTING	P/N Y425	SHEET 1 OF 1
					REV. 1