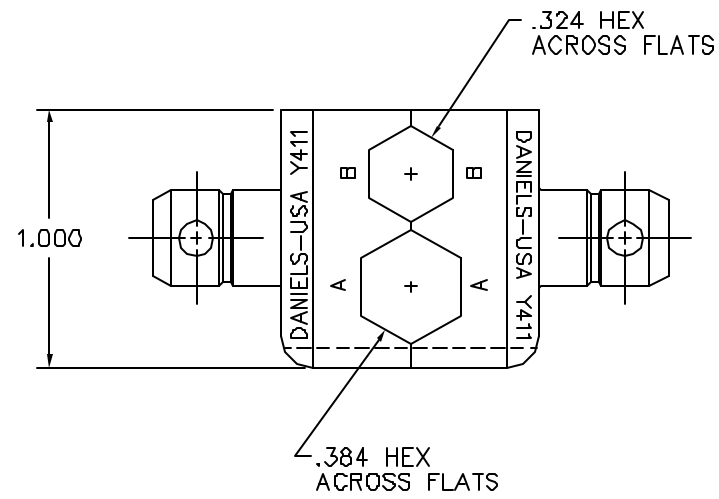
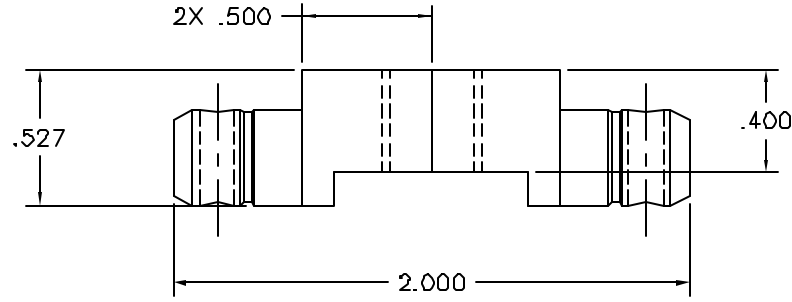



REVISIONS				
REV. SYM.	E.C.D. NUMBER	DESCRIPTION	BY DATE	APP'D DATE
1		ORIGINAL RELEASE	D.A.D. 5-22-67	DE 5-97



**UNCONTROLLED DOCUMENT
WILL NOT BE UPDATED**

RESTRICTED & CONFIDENTIAL CONFIDENTIAL PROPERTY OF DANIELS MANUFACTURING CORP. NOT TO BE DISCLOSED TO OTHERS, REPRODUCED OR USED FOR ANY OTHER PURPOSE, EXCEPT AS AUTHORIZED IN WRITING BY DANIELS MANUFACTURING. MUST BE RETURNED TO DANIELS MANUFACTURING CORP. ON COMPLETION OF ORDER OR OTHER PURPOSE FOR WHICH LENT.		MATERIAL	ITEM	PART NO.	QTY.	DESCRIPTION/REMARKS		
DO NOT SCALE DRAWING		HEAT TREAT	DRN. D. DEPAIVA	DATE 5-27-97	 DANIELS MANUFACTURING CORP. ORLANDO, FLORIDA CAGE 11851	TITLE DIE SET ENVELOPE DRAWING		
		FINISH	CHK'D. DE	DATE 5-97				
			APP'D.	DATE	WHERE USED:			
			APP'D.	DATE	SIZE B	SCALE 2X	CAD P/N Y411-ENV	SHEET OF 1 1
					POSTING	P/N Y411-ENV	REV. 1	