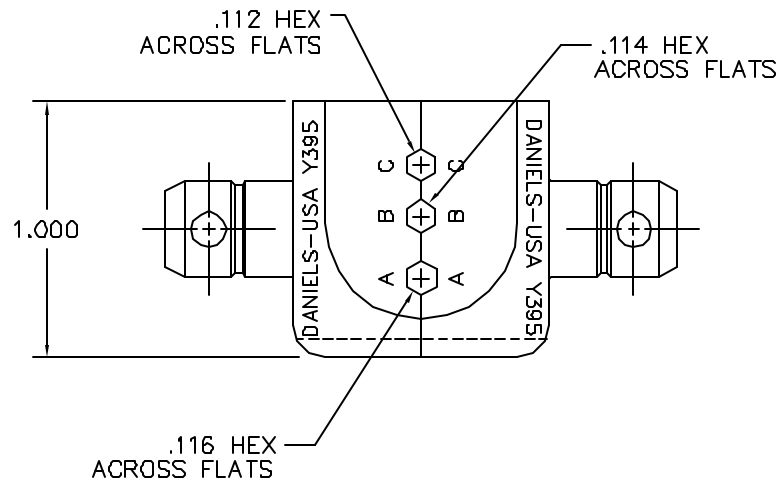
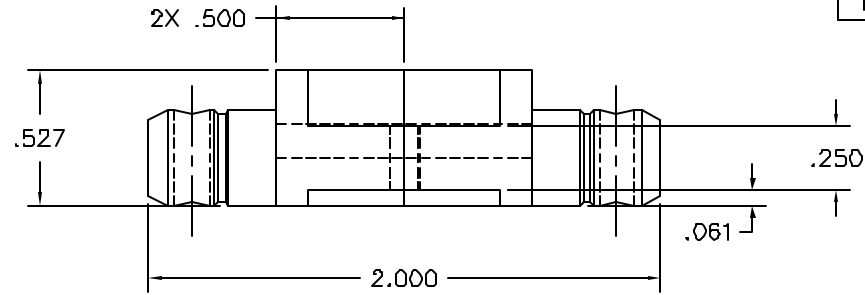



REVISIONS				
REV. SYM.	E.C.D. NUMBER	DESCRIPTION	BY DATE	APP'D DATE
1		ORIGINAL RELEASE	JWJ 10/23/98	DE 10/98



**UNCONTROLLED DOCUMENT  
WILL NOT BE UPDATED**

RESTRICTED & CONFIDENTIAL		MATERIAL	ITEM	PART NO.	QTY.	DESCRIPTION/REMARKS
CONFIDENTIAL PROPERTY OF DANIELS MANUFACTURING CORP. NOT TO BE DISCLOSED TO OTHERS, REPRODUCED OR USED FOR ANY OTHER PURPOSE, EXCEPT AS AUTHORIZED IN WRITING BY DANIELS MANUFACTURING. MUST BE RETURNED TO DANIELS MANUFACTURING CORP. ON COMPLETION OF ORDER OR OTHER PURPOSE FOR WHICH LENT.		HEAT TREAT	DRN	J. JOYCE	DATE 10/23/98	 DANIELS MANUFACTURING CORP. ORLANDO, FLORIDA CAGE 11651
			CHK'D	DE	DATE 10/98	
			APP'D.		DATE	
			APP'D.		DATE	
DO NOT SCALE DRAWING		FINISH	TITLE		DIE SET ENVELOPE DRAWING	
			WHERE USED:		SIZE B	SCALE 2X
			CAD P/N		Y395-ENV	SHEET 1 OF 1
			P/N		Y395-ENV	REV. 1