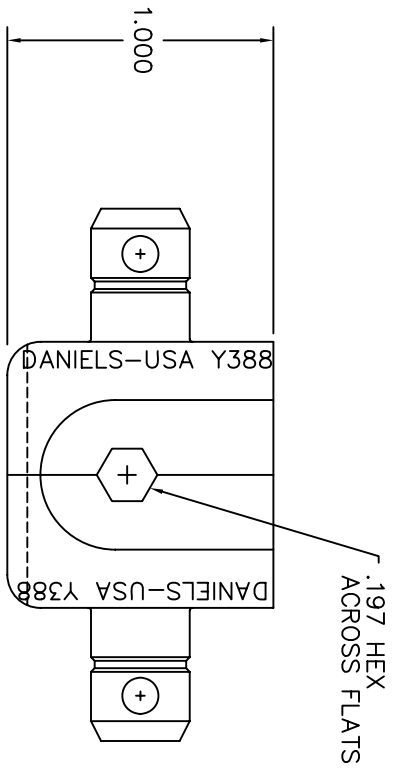
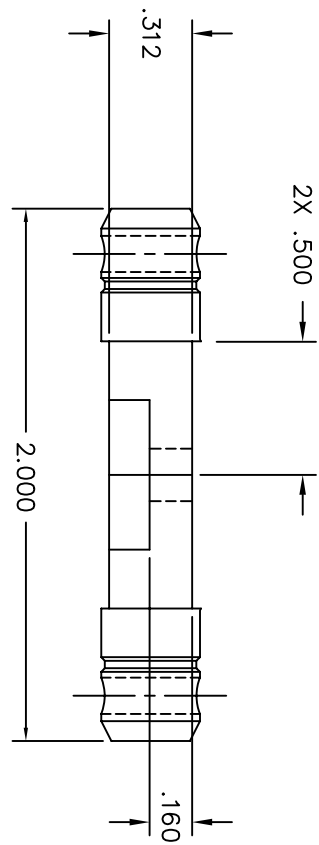



REVISIONS				
REV. SYM.	E.C.O. NUMBER	DESCRIPTION	BY DATE	APP'D DATE
1		ORIGINAL RELEASE	DAD 10/4/96	DE 10/96



**UNCONTROLLED DOCUMENT
WILL NOT BE UPDATED**

RESTRICTED & CONFIDENTIAL		MATERIAL		ITEM		PART NO.		QTY.		DESCRIPTION/REMARKS	
CONFIDENTIAL PROPERTY OF DANIELS MANUFACTURING CORP. NOT TO BE DISCLOSED TO OTHERS, REPRODUCED OR COPIED IN ANY MANNER, WITHOUT THE WRITTEN PERMISSION OF DANIELS MANUFACTURING CORP. ON COMPLETION OF ORDER OR OTHER PURPOSE FOR WHICH LENT.		HEAT TREAT		DNR. DATE		DAD 10/4/96				 DANIELS MANUFACTURING CORP. ORLANDO, FLORIDA CAGE 11851	
		FINISH		CHK'D. DATE		DE 10/96					
DO NOT SCALE DRAWING		NOTE:		APP'D. DATE						DIE SET	
		THIS DRAWING IS AN OUTLINE DRAWING OF THE RESPECTIVE PART NUMBER INDICATED. ACTUAL DIM. PART NUMBER IS DRAWING NUMBER WITHOUT THE "ENV" SUFFIX.		WHERE USED:		CAD P/N		Y388-ENV		SHEET 1 OF 1	
				APP'D. DATE				DWC. NO.		Y388-ENV	
										REV. 1	

1. REFERENCE: CANNON TOOL CCT-406M

NOTES: