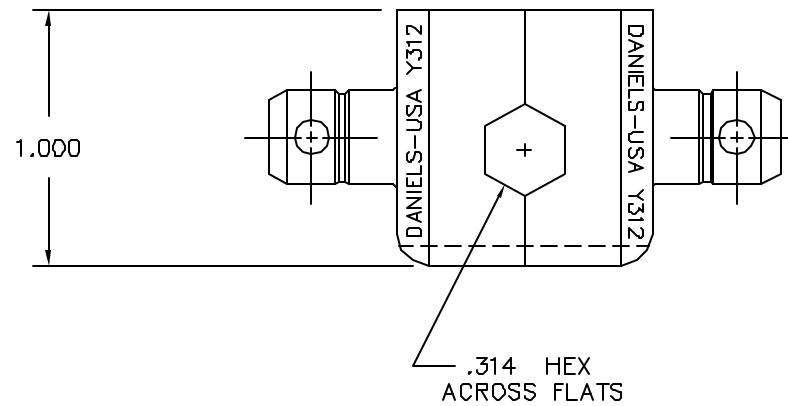
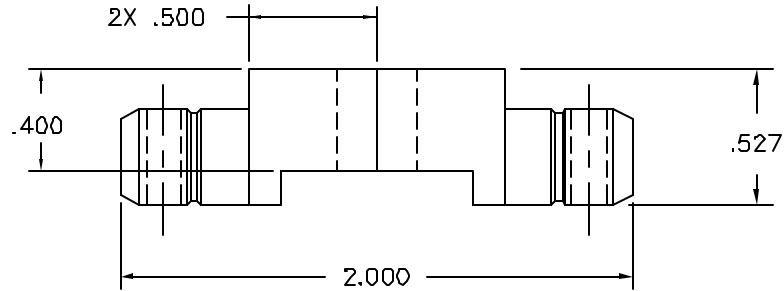



REVISIONS				
REV. SYM.	E.C.D. NUMBER	DESCRIPTION	BY DATE	APP'D DATE
1		ORIGINAL RELEASE	JWC 11-24-99	JWJ 11-24-99



**UNCONTROLLED DOCUMENT  
WILL NOT BE UPDATED**

RESTRICTED & CONFIDENTIAL		MATERIAL	ITEM	PART NO.	QTY.	DESCRIPTION/REMARKS
CONFIDENTIAL PROPERTY OF DANIELS MANUFACTURING CORP. NOT TO BE DISCLOSED TO OTHERS. REPRODUCED OR USED FOR ANY OTHER PURPOSE, EXCEPT AS AUTHORIZED IN WRITING BY DANIELS MANUFACTURING. MUST BE RETURNED TO DANIELS MANUFACTURING CORP. ON COMPLETION OF ORDER OR OTHER PURPOSE FOR WHICH LENT.			DRN	JMC	DATE	 DANIELS MANUFACTURING CORP. ORLANDO, FLORIDA CAGE 11851
			CHK'D.	JWJ	DATE	
DO NOT SCALE DRAWING			HEAT TREAT	APP'D.	DATE	TITLE
			FINISH	APP'D.	DATE	DIE SET ENVELOPE DRAWING
						WHERE USED:
			SIZE	SCALE	CAD P/N	SHEET OF
			B	2X	Y312-ENV	1 of 1
			POSTING		P/N	REV.
					Y312-ENV	1