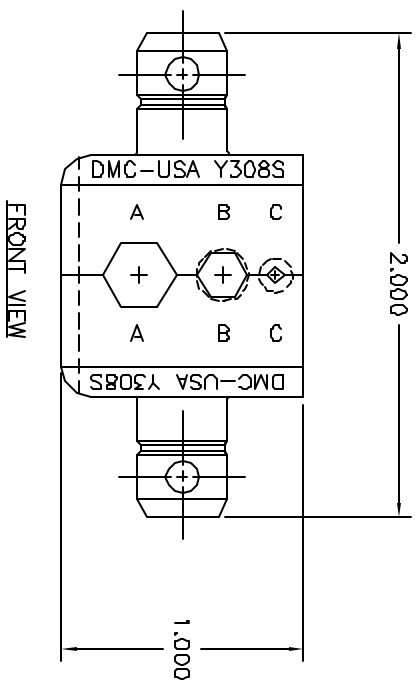
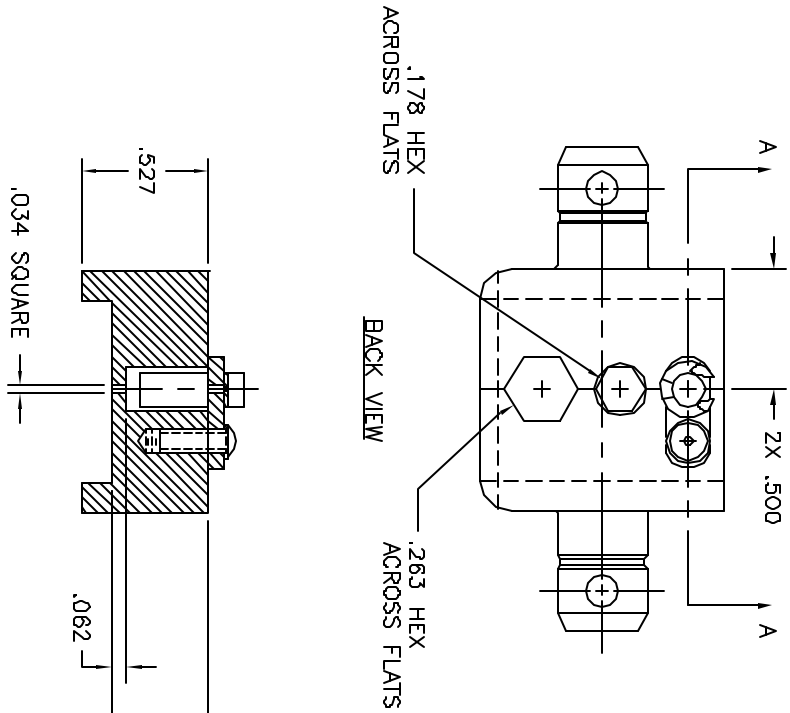


REVISIONS		REV.	SCALE	DESCRIPTION	BY	DATE	APP'D
REV. NO.	SYMBOL	NUMBER			DATE	DATE	DATE
1			ORIGINAL RELEASE		1/25/88	2/88	

**UNCONTROLLED DOCUMENT
WILL NOT BE UPDATED**



- NOTES:**
1. USE WITH AMPHENOL TRIAX CONTACTS
 2. AMPHENOL P/N 227-954.

RESTRICTED & CONFIDENTIAL		MATERIAL		FINISH		DO NOT SCALE DRAWING	
<p>CONFIDENTIAL PROPERTY OF DANIELS MANUFACTURING CORP. NOT TO BE DISCLOSED TO OTHERS, REPRODUCED OR USED FOR ANY OTHER PURPOSES WITHOUT THE WRITTEN PERMISSION OF DANIELS MANUFACTURING CORP. ON COMPLETION OF ORDER OR OTHER PURPOSE FOR WHICH INT.</p>							
ITEM	PART NO.	QTY.	DESCRIPTION/REMARKS	HEAT TREAT	FINISH	DATE	DATE
DRN.	DH	DATE	DATE	DATE	DATE	DATE	DATE
DATE	TS	2/26/88	2/26/88	DATE	DATE	DATE	DATE
DATE	AAW	2/26/88	2/26/88	DATE	DATE	DATE	DATE
DATE	AAW	2/26/88	2/26/88	DATE	DATE	DATE	DATE
<p>DMC DANIELS MANUFACTURING CORP. ORLANDO, FLORIDA CASE 11857</p>				<p>TITLE DIE SET ENVELOPE DRAWING</p>			
<p>WHERE USED:</p>				<p>SCALE: 2X</p>			
<p>SIZE: B</p>				<p>CDG P/N: Y308S-ENV</p>			
<p>POSTING</p>				<p>SHEET: 1 OF 1</p>			
<p>P/N: Y308S-ENV</p>				<p>REV: 1</p>			