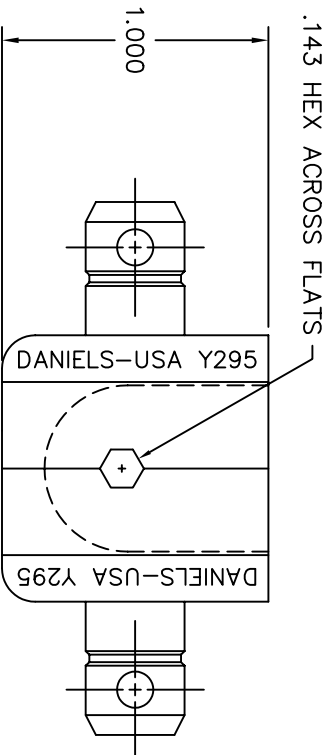
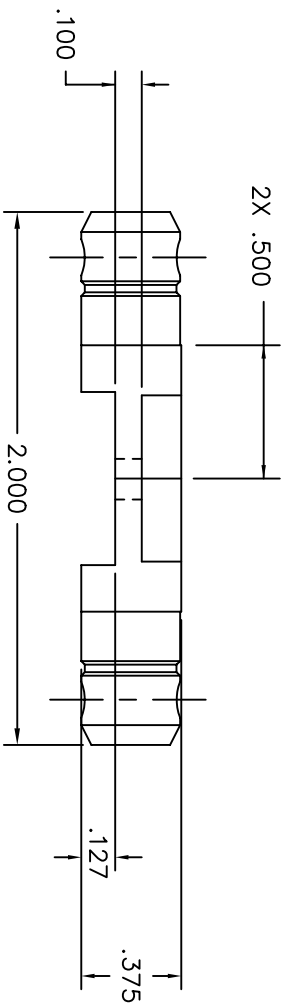


| REVISIONS | | | | |
|-----------|---------------|------------------|---------|-------------|
| REV. SYM. | E.C.O. NUMBER | DESCRIPTION | BY DATE | APP'D. DATE |
| 1 | | ORIGINAL RELEASE | 3-7-96 | DE 3-96 |



**UNCONTROLLED DOCUMENT
WILL NOT BE UPDATED**

| | | | | | | | | | | | |
|---|--|------------|--|---------------------|--|-------------|--|--------------------------|--|---|--|
| RESTRICTED & CONFIDENTIAL CONFIDENTIAL PROPERTY OF DANIELS MANUFACTURING CORP. THIS DRAWING IS NOT TO BE REPRODUCED OR USED FOR ANY OTHER PURPOSE EXCEPT AS AUTHORIZED IN WRITING BY DANIELS MANUFACTURING. MUST BE RETURNED TO DANIELS MANUFACTURING CORP. ON COMPLETION OF ORDER OR OTHER PURPOSE FOR WHICH LENT. | | MATERIAL | | ITEM | | PART NO. | | QTY. | | DESCRIPTION/REMARKS | |
| | | HEAT TREAT | | DRG. E: DIAZ 3-7-96 | | DATE 3-7-96 | | | | DANIELS MANUFACTURING CORP. ORLANDO, FLORIDA CAGE 11851 | |
| FINISH | | APP'D. | | DATE | | DATE | | TITLE | | WHERE USED: | |
| DO NOT SCALE DRAWING | | APP'D. | | DATE | | DATE | | DIE SET ENVELOPE DRAWING | | CAD P/N Y295-ENV SHEET 1 OF 1 DWG. NO. Y295-ENV REV. 1 | |

NOTE:
THIS DRAWING IS AN OUTLINE DRAWING OF THE RESPECTIVE DIM. PART NUMBER AND PART NUMBER OF DRAWING NUMBER WITHOUT THE "-ENV" SUFFIX.