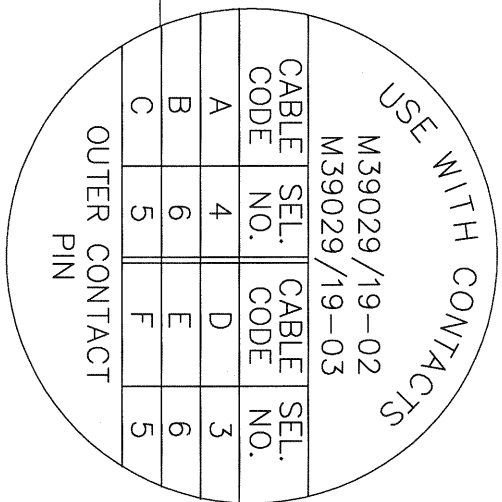
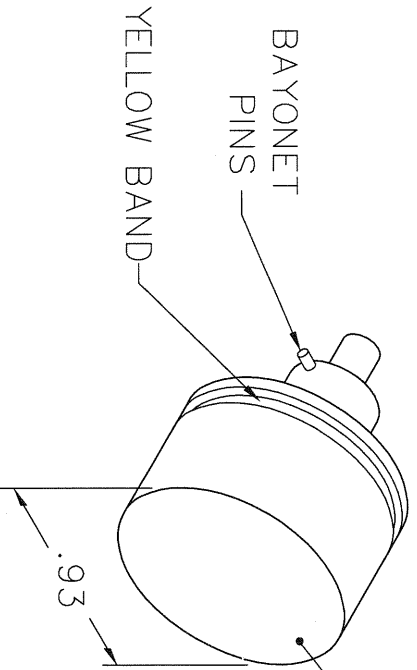
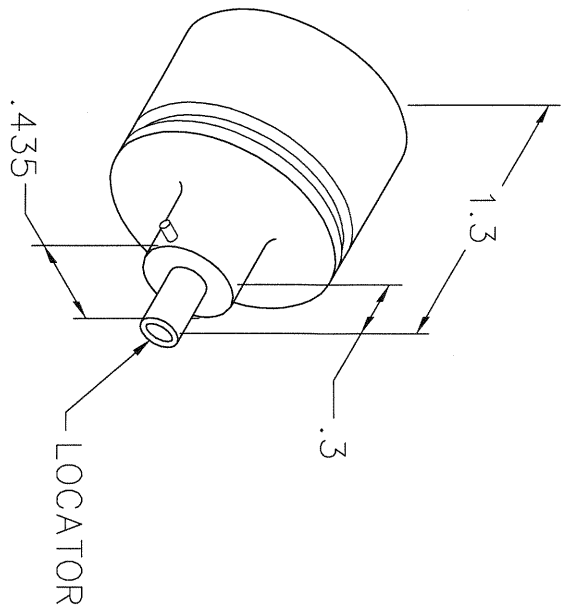


REV. SYM.		E.C.O. NUMBER	DESCRIPTION	BY TD	DATE	APP'D DATE
1			ORIGINAL RELEASE		3-13-08	



NOTE: FOR USE WITH DANIELS CRIMP TOOL MH804.

LOCATOR	ADDITIONAL FEATURES
HOLE DIMENSIONS	<div style="border: 1px solid black; width: 10px; height: 10px; display: inline-block;"></div> □ ϕ .170 ∇ .063
ϕ .153	
∇ THRU	

RESTRICTED & CONFIDENTIAL

CONFIDENTIAL PROPERTY OF DANIELS MANUFACTURING CORP. NOT TO BE DISCLOSED TO OTHERS, REPRODUCED OR USED FOR ANY OTHER PURPOSE, EXCEPT AS AUTHORIZED IN WRITING BY DANIELS MANUFACTURING. MUST BE RETURNED TO DANIELS MANUFACTURING CORP. ON COMPLETION OF ORDER OR OTHER PURPOSE FOR WHICH LENT.

DO NOT SCALE DRAWING

DRN	DATE
<i>Jenny Dikoworth</i>	3-13-08
CHK'D.	DATE
APP'D.	DATE
APP'D.	DATE

NOTE: THIS DRAWING IS AN OUTLINE DRAWING OF THE RESPECTIVE DMC PART NUMBER INDICATED. ACTUAL DMC PART NUMBER IS DRAWING NUMBER WITHOUT THE "-ENV" SUFFIX.



DANIELS MANUFACTURING CORP.
ORLANDO, FLORIDA
CAGE 11851

TITLE: ENVELOPE DRAWING
POSITIONER (M22520/21-02)

WHERE USED:

SIZE	SCALE	CAD P/N	SHEET	OF
A	NTS	D12P-1M-ENV	1	1
POSTING		DWG. NO. D12P-1M-ENV		REV. 1