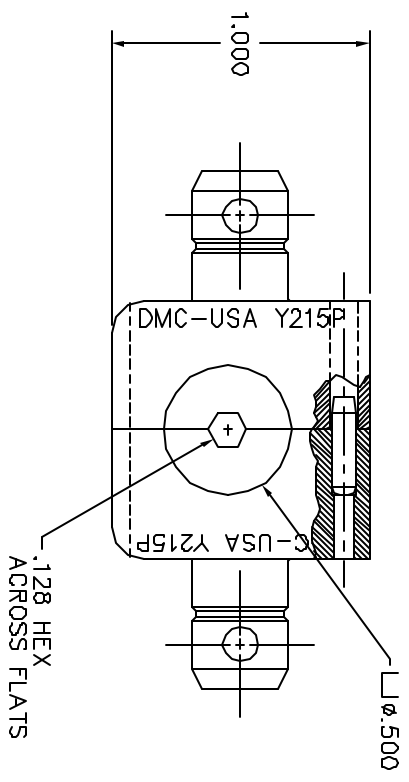
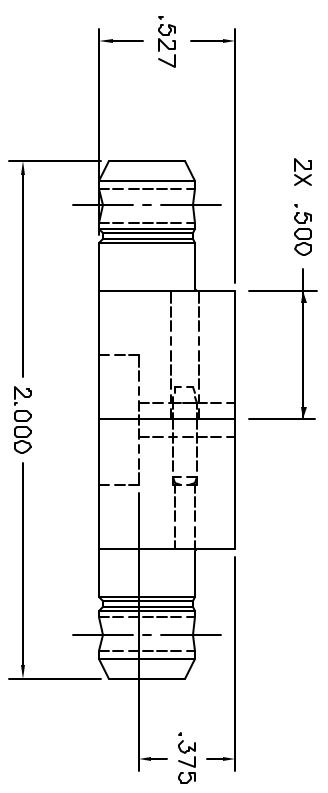


REVISIONS				
REV. NUMBER	E.C.D. NUMBER	DESCRIPTION	BY DATE	APPRO. DATE
1		ORIGINAL RELEASE	JMW 8/22/88	RRR 8/22/88



**UNCONTROLLED DOCUMENT  
WILL NOT BE UPDATED**

1. REFERENCE: T&B WT400.

NOTES:

RESTRICTED & CONFIDENTIAL CONFIDENTIAL PROPERTY OF DANIELS MANUFACTURING CORP. NOT TO BE REPRODUCED OR DISCLOSED IN ANY MANNER WITHOUT THE WRITTEN PERMISSION OF DANIELS MANUFACTURING CORP. ON COMPLETION OF ORDER OR OTHER PURPOSE FOR WHICH LENT.		MATERIAL		ITEM		PART NO.		QTY.		DESCRIPTION/REMARKS	
HEAT TREAT		DRILL		J. JOYCE		DATE		DATE		DATE	
FINISH		CMTD		RRR		DATE		DATE		DATE	
DO NOT SCALE DRAWING		APPRD.		DATE		DATE		DATE		DATE	
WHERE USED		SIZE		SCALE		CAD		P/N		SHEET	
DIE SET		B		2X		ENVP		Y215P-ENV		1 OF 1	
ENVELOPE DRAWING		POSITIONS		P/N		Y215P-ENV		REV.		1	