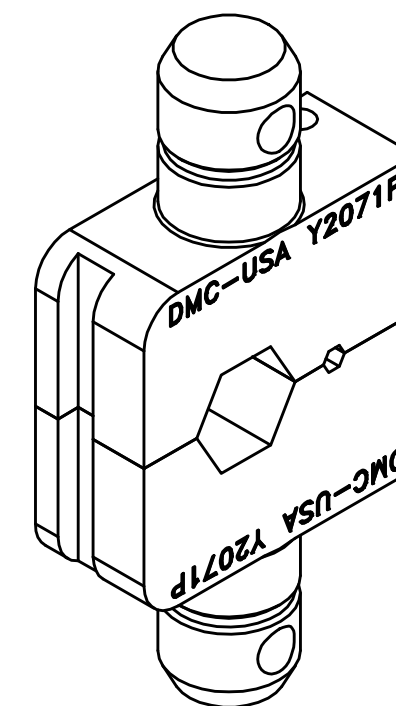
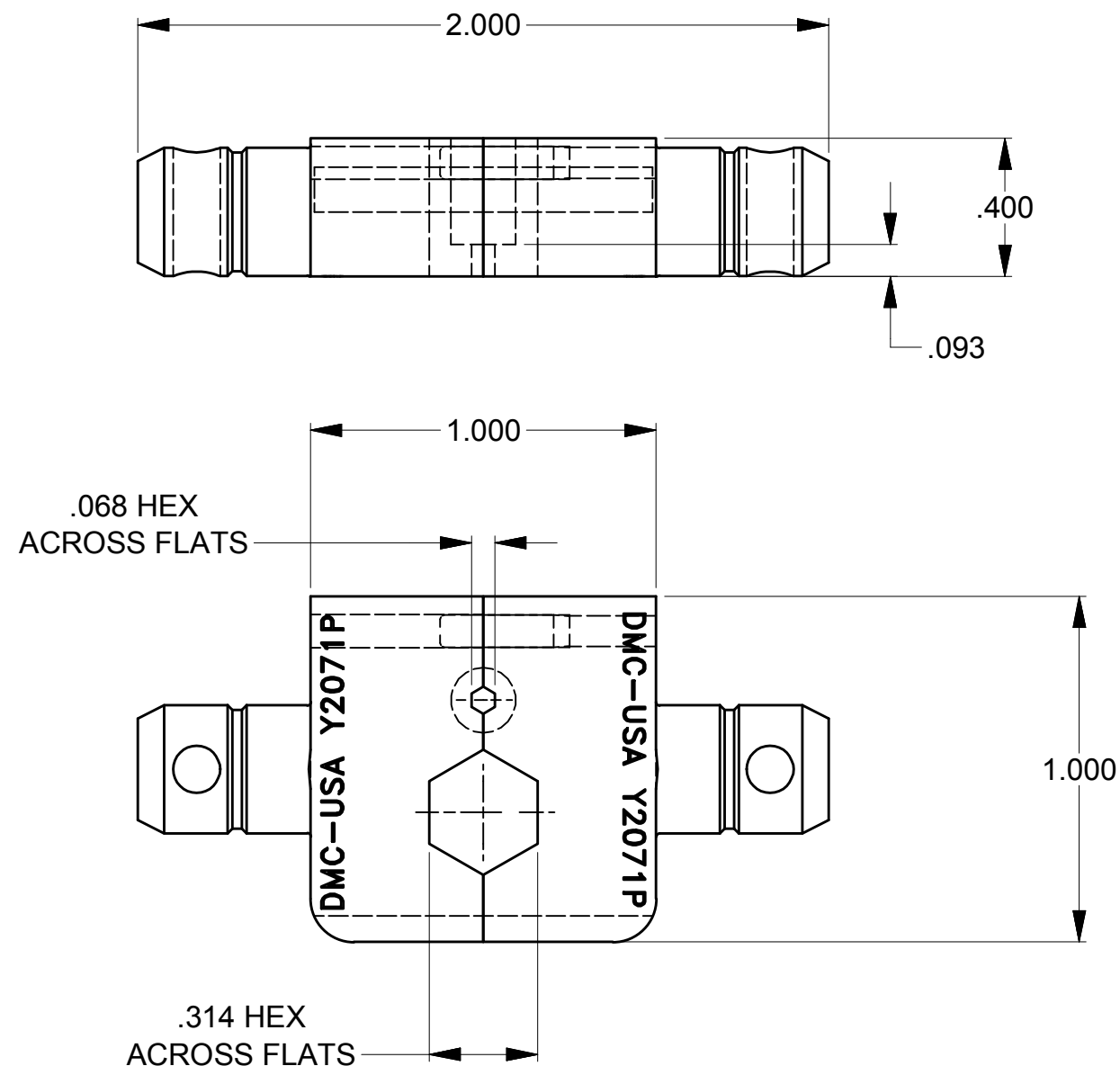


THIS DOCUMENT IS FOR REFERENCE ONLY. USERS MUST ASSURE THEY ARE USING THE CORRECT REVISION.

REVISIONS				
REV SYM	ECO NUMBER	DESCRIPTION	BY DATE	APP'D DATE
1	22838	ORIGINAL RELEASE	MF 3/7/13	RRR 3/7/13

**UNCONTROLLED DOCUMENT  
WILL NOT BE UPDATED**

DIMENSIONS IN INCHES - UNLESS OTHERWISE SPECIFIED



ISOMETRIC VIEW

NOTES:

<b>RESTRICTED &amp; CONFIDENTIAL</b> CONFIDENTIAL PROPERTY OF DANIELS MANUFACTURING CORP. NOT TO BE DISCLOSED TO OTHERS, REPRODUCED OR USED FOR ANY OTHER PURPOSE EXCEPT AS AUTHORIZED IN WRITING BY DANIELS MANUFACTURING. MUST BE RETURNED TO DANIELS MANUFACTURING CORP. ON COMPLETION OF ORDER OR OTHER PURPOSE FOR WHICH LENT.  CREATED FROM AN INVENTOR MODEL. CHANGES MUST BE REFLECTED IN THE 3D PART  <b>DO NOT SCALE DRAWING</b>	MATERIAL	ITEM	PART No.	QTY.	DESCRIPTION/REMARKS
	HEAT TREAT	DRN. <b>Matt Frink</b>	DATE 3/7/13		DANIELS MANUFACTURING CORP. ORLANDO, FLORIDA CAGE 11851
	FINISH	CHK'D.	DATE		
		APP'D.	DATE	APP'D.	DATE
		NOTE: THIS DRAWING IS AN OUTLINE DRAWING OF THE RESPECTIVE DMC PART NUMBER INDICATED. ACTUAL DMC PART NUMBER IS DRAWING NUMBER WITHOUT THE "-ENV" SUFFIX		WHERE USED:	
		SIZE <b>B</b>	SCALE <b>2:1</b>	CAD P/N Y2071P-ENV	SHEET OF <b>1 1</b>
		POSTING	P/N Y2071P-ENV	REV. <b>1</b>	