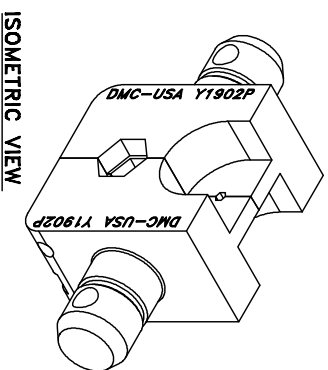
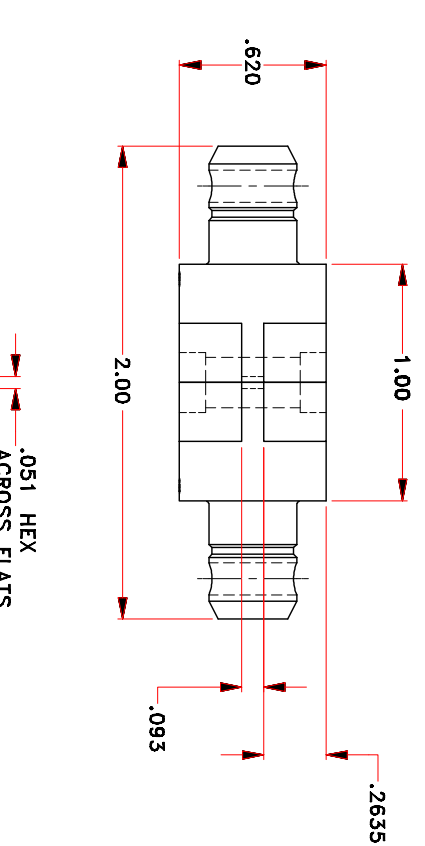
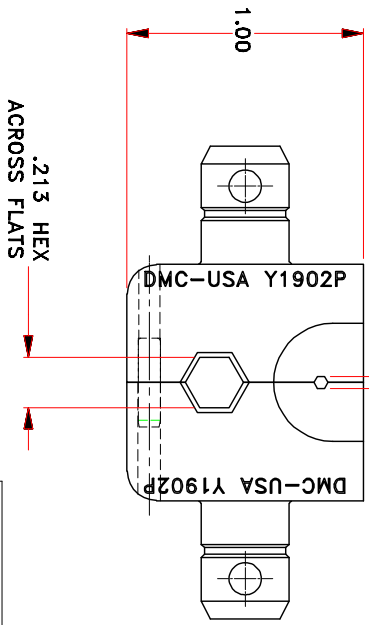


REV		EPO		REVISIONS		APP'D	
ST/A	NUMBER	DESCRIPTION	DATE	TD	DATE	DATE	DATE
A	19637	ORIGINAL RELEASE	04-01-03		04-04-03		



ISOMETRIC VIEW



UNCONTROLLED DOCUMENT  
WILL NOT BE UPDATED

RESTRICTED & CONFIDENTIAL		MATERIAL		ITEM		PART NO.		QTY.		DESCRIPTION/REMARKS	
CONFIDENTIAL PROPERTY OF DANIELS MANUFACTURING CORP. REPRODUCTION OR USE FOR ANY OTHER PURPOSE EXCEPT AS AUTHORIZED IN WRITING BY DANIELS MANUFACTURING CORP. IS PROHIBITED. THIS DRAWING IS THE PROPERTY OF DANIELS MANUFACTURING CORP. ON COMPLETION OF ORDER OR OTHER PURPOSE FOR WHICH MADE.		HEAT TREAT		DIN 1.4571		DATE		DATE		DANIELS MANUFACTURING CORP. ORLANDO, FLORIDA CAGE 11851	
CREATED FROM AN INVENTOR MODEL. CHANGES MUST BE REFLECTED IN THE 3D PART		FINISH		APP'D.		DATE		DATE		DIE SET - ENVELOPE DRAWING	
DO NOT SCALE DRAWING		NOTE:		THIS DRAWING IS AN OUTLINE DRAWING OF THE RESPECTIVE DMC PART NUMBER INDICATED. ACTUAL DMC PART NUMBER AND FINISH THE "-ENV" SUFFIX		WHERE USED:		CAD P/N		SHEET OF	
						B		Y1902P-ENV		1 OF 1	
						2X		Y1902P-ENV		REV. OF	
								Y1902P-ENV		A	