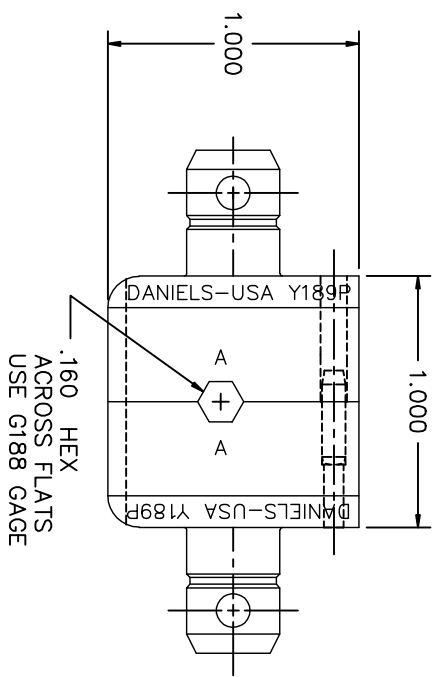
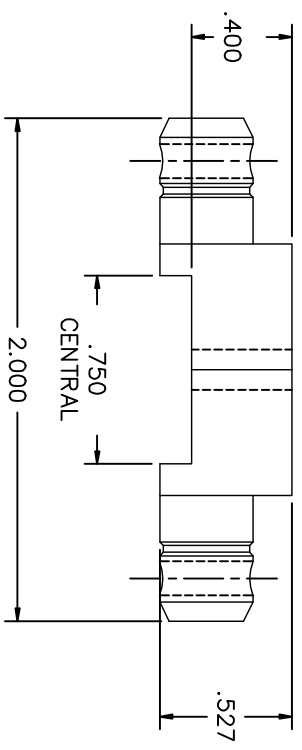


REVISIONS				
REV. STYL. NUMBER	E.C.O. NUMBER	DESCRIPTION	BY DATE	APP'D DATE
1		ORIGINAL RELEASE	12/4/09	



**UNCONTROLLED DOCUMENT
WILL NOT BE UPDATED**

RESTRICTED & CONFIDENTIAL		MATERIAL		ITEM		PART NO.		QTY.		DESCRIPTION/REMARKS	
CONCEPTUAL PROPERTY OF DANIELS MANUFACTURING CORP. NOT TO BE DISCLOSED TO OTHERS. REPRODUCED OR USED FOR ANY OTHER PURPOSE, EXCEPT AS AUTHORIZED IN WRITING BY DANIELS MANUFACTURING. MUST BE RETURNED TO DANIELS MANUFACTURING FOR THE PURPOSE OF ORDER OR OTHER PURPOSE FOR WHICH SENT.		HEAT TREAT		DGN. <i>George Zilvershik</i> DATE 12/4/09		DATE		TITLE		DANIELS MANUFACTURING CORP. ORLANDO, FLORIDA CASE 11851	
		FINISH		APP'D. DATE		DATE		WHERE USED:		DIE SET ENVELOPE DRAWING	
DO NOT SCALE DRAWING		NOTE: THIS DRAWING IS AN OUTLINE DRAWING. THE NUMBER INDICATED IN THE PART NUMBER IS DRAWING NUMBER WITHOUT THE "-ENV" SUFFIX.		APP'D. DATE		DATE		SIZE POSTING		SHEET 1 OF 1	
				REV. 1		REV. 1		SCALE 2/1		DWG. NO. Y189P-ENV	