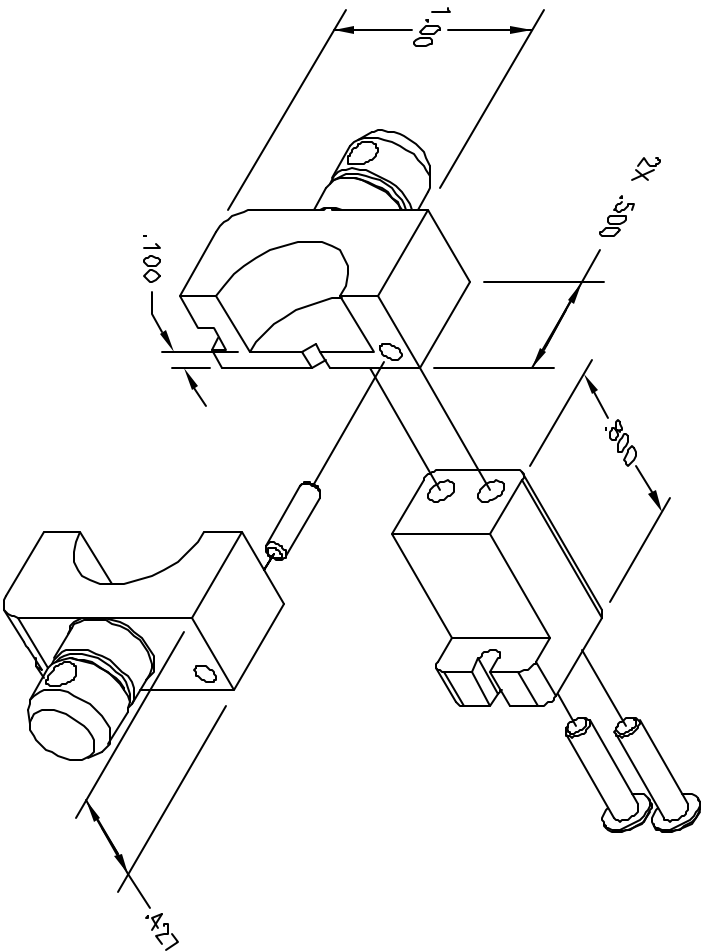


REV.	REV. NUMBER	DESCRIPTIONS	BY	DATE	APP'D	DATE
1		ORIGINAL RELEASE	Y/MS	9/19/02		9/19/02



**UNCONTROLLED DOCUMENT  
WILL NOT BE UPDATED**

RESTRICTED & CONFIDENTIAL		ITEM		PART NO.		QTY.		DESCRIPTION/REMARKS	
CONSENT PROPERTY OF DANIELS MANUFACTURING CO. THIS DRAWING IS NOT TO BE REPRODUCED OR USED FOR ANY OTHER PURPOSE, EXCEPT AS AUTHORIZED IN WRITING BY DANIELS MANUFACTURING CO. THIS DRAWING IS THE PROPERTY OF DANIELS MANUFACTURING CO. AND IS NOT TO BE REPRODUCED OR USED FOR ANY OTHER PURPOSE WITHOUT THE WRITING CONSENT OF DANIELS MANUFACTURING CO.		MATERIAL		DATE		DATE		DATE	
		HEAT TREAT		8/19/02		8/19/02		8/19/02	
FINISH		DRN. K. KOONS		DATE 8/19/02		DATE 8/19/02		DATE 8/19/02	
DO NOT SCALE DRAWING		CHG'D. NRS		DATE		DATE		DATE	
		APP'D.		DATE		DATE		DATE	
		TITLE		WHERE USED		SCALE		SHEET	
		ENVELOPE DRAWING		Y1840P-ENV		1/1		1/1	
		DIE SET		Y1840P-ENV		1/1		1/1	
		DANIELS MANUFACTURING CO. DR. DANIELS		Y1840P-ENV		1/1		1/1	
		CAGE 11851		Y1840P-ENV		1/1		1/1	
				Y1840P-ENV		1/1		1/1	