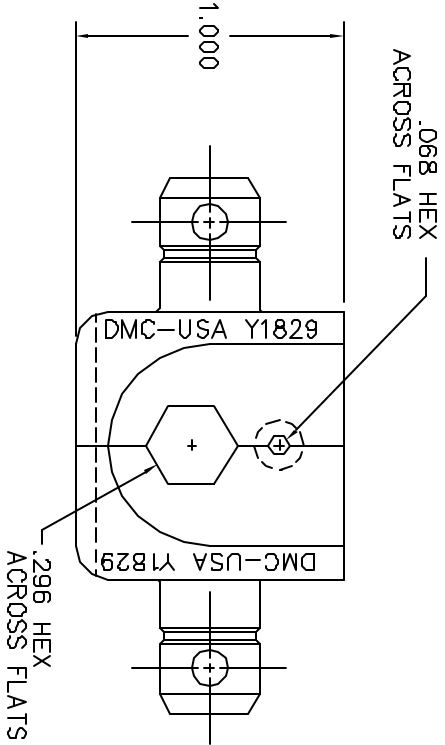
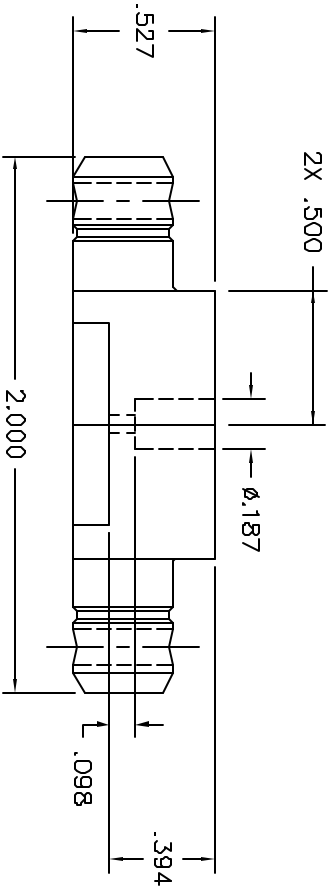


REVISIONS				
REV. SYM.	E.C.D. NUMBER	DESCRIPTION	BY DATE	APP'D DATE
1		ORIGINAL RELEASE	JML 3/28/02	RRR 3/28/02



RESTRICTED & CONFIDENTIAL		MATERIAL		ITEM		PART NO.		QTY.		DESCRIPTION/REMARKS	
CONFIDENTIAL PROPERTY OF DANIELS MANUFACTURING CORP. NOT TO BE DISCLOSED TO OTHERS, REPRODUCED OR USED FOR ANY OTHER PURPOSE, EXCEPT AS AUTHORIZED IN WRITING BY DANIELS MANUFACTURING. MUST BE RETURNED TO DANIELS MANUFACTURING CORP. ON COMPLETION OF ORDER OR OTHER PURPOSE FOR WHICH SENT.		HEAT TREAT		DRN. J. JOYCE		12/12/01		1		DIE SET	
				CHK'D. RRR		12/12/01				DANIELS MANUFACTURING CORP.	
				APP'D.		DATE				ORLANDO, FLORIDA	
				APP'D.		DATE				CAGE 11851	
FINISH						WHERE USED:		SIZE		SHEET 1 OF 1	
DO NOT SCALE DRAWING								SCALE		REV. 1	
								2X		P/N Y1829-ENV	
								POSTING		Y1829-ENV	
										1	

UNCONTROLLED DOCUMENT  
WILL NOT BE UPDATED