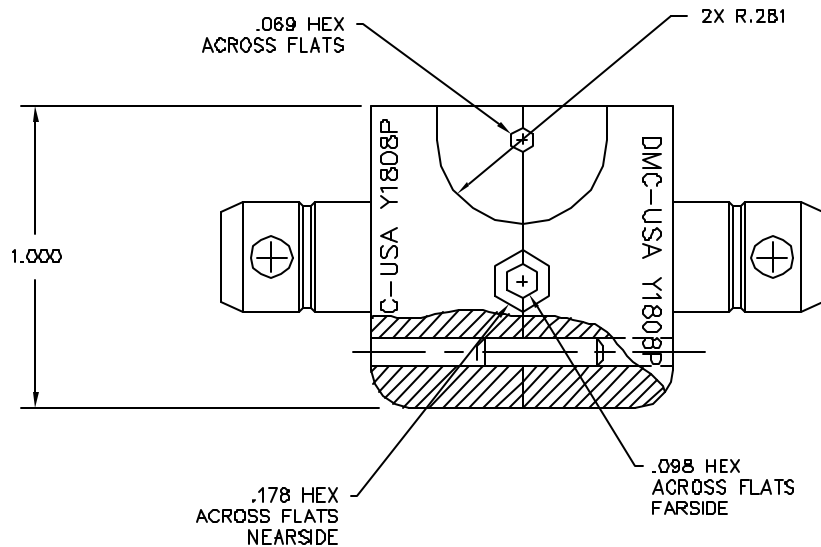



REVISIONS				
REV. SYN.	E.C.O. NUMBER	DESCRIPTION	BY DATE	APP'D DATE
1		ORIGINAL RELEASE	JWJ 11/3/00	RRR 11/3/00



**UNCONTROLLED DOCUMENT  
WILL NOT BE UPDATED**

1. FUNCTIONAL EQUIVALENT TO KINGS KTH2208.

NOTES:

<b>RESTRICTED &amp; CONFIDENTIAL</b>		MATERIAL		ITEM	PART NO.	QTY.	DESCRIPTION/REMARKS		
CONFIDENTIAL PROPERTY OF DANIELS MANUFACTURING CORP. NOT TO BE DISCLOSED TO OTHERS, REPRODUCED OR USED FOR ANY OTHER PURPOSE, EXCEPT AS AUTHORIZED IN WRITING BY DANIELS MANUFACTURING. MUST BE RETURNED TO DANIELS MANUFACTURING CORP. ON COMPLETION OF ORDER OR OTHER PURPOSE FOR WHICH LENT.		HEAT TREAT		DRWL	J. JOYCE	DATE	 DANIELS MANUFACTURING CORP. ORLANDO, FLORIDA CAGE 11851		
				CHK'D	RRR	DATE		11/3/00	
				APP'D		DATE	11/3/00	TITLE	DIE SET ENVELOPE DRAWING
				APP'D		DATE		WHERE USED:	
DO NOT SCALE DRAWING		FINISH		SIZE	SCALE	CAD P/N	SHEET OF		
				B	NTS	Y1808P-ENV	1 1		
				POSTING		P/N	REV.		
						Y1808P-ENV	1		