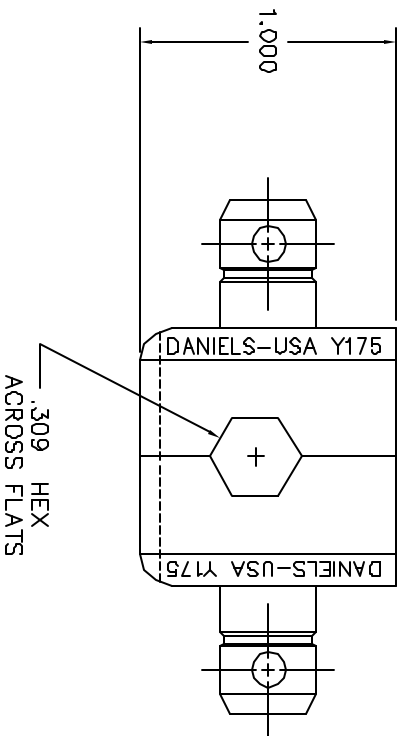
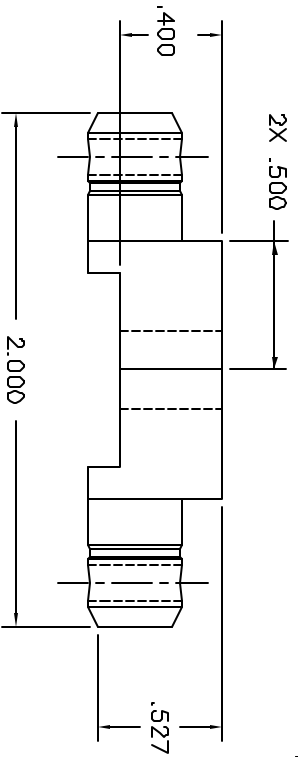


REVISIONS			
REV. NO.	ECO. NUMBER	DESCRIPTION	BY DATE
1		ORIGINAL RELEASE	JMC 11-23-99



**UNCONTROLLED DOCUMENT  
WILL NOT BE UPDATED**

RESTRICTED & CONFIDENTIAL		MATERIAL		ITEM		PART NO.		QTY.		DESCRIPTION/REMARKS	
COMP. INTL. PROPERTY OF DANIELS MANUFACTURING CORP. ALL RIGHTS RESERVED. NO OTHERS, REPRODUCED OR USED FOR ANY OTHER PURPOSE, EXCEPT AS AUTHORIZED IN WRITING, BY DANIELS MANUFACTURING. MUST BE RETURNED TO DANIELS MANUFACTURING CORP. ON COMPLETION OF ORDER OR OTHER PURPOSE FOR WHICH INTL.		HEAT TREAT		DRN.	JMC	DATE	11-23-99			DANIELS MANUFACTURING CORP.	
		FINISH		CHG'D.	JWJ	DATE	11-23-99			DANIELS MANUFACTURING CORP.	
				APPR'D.		DATE				DANIELS MANUFACTURING CORP.	
				APPR'D.		DATE				DANIELS MANUFACTURING CORP.	
DO NOT SCALE DRAWING		TITLE		WHERE USED		SCALE		SHEET		OF	
		DIE SET ENVELOPE DRAWING		P/N Y175-ENV		2X		1		1	
				P/N Y175-ENV				REV.		1	