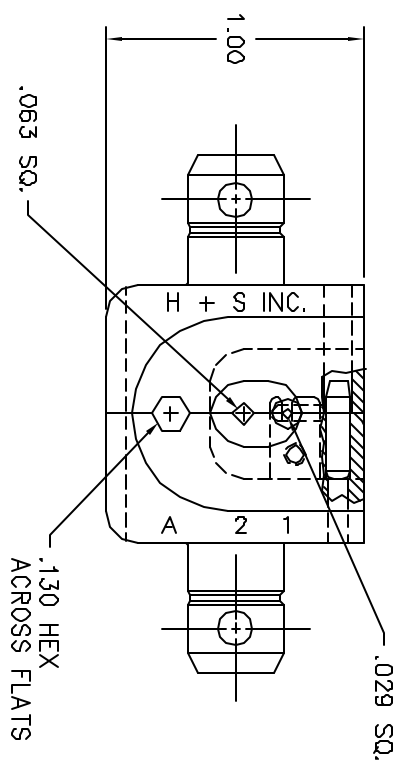
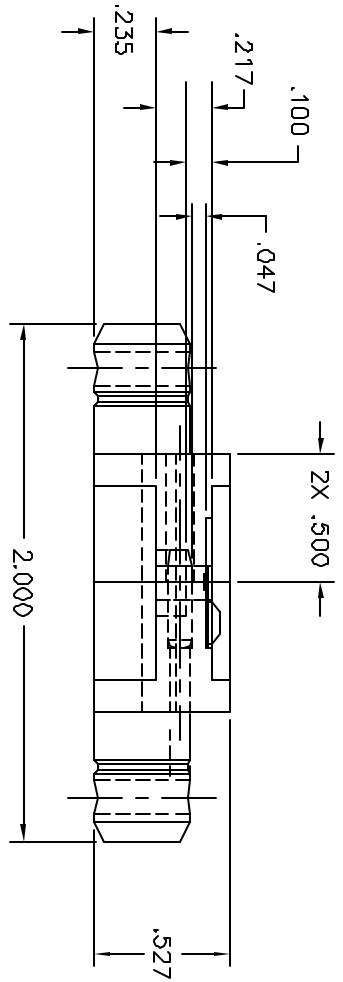


REVISIONS			
REV. NUMBER	DESCRIPTION	BY DATE	APP'D DATE
1	ORIGINAL RELEASE	ED 5-7-96	DE 5-96



**UNCONTROLLED DOCUMENT  
WILL NOT BE UPDATED**

**RESTRICTED & CONFIDENTIAL**  
 CONFIDENTIAL PROPERTY OF DANIELS MANUFACTURING CORP. NOT TO BE DISCLOSED TO OTHERS, REPRODUCED OR TRANSMITTED IN ANY FORM OR BY ANY MEANS, ELECTRONIC OR MECHANICAL, WITHOUT THE WRITTEN PERMISSION OF DANIELS MANUFACTURING CORP. ON COMPLETION OF ORDER OR OTHER PURPOSE FOR WHICH INT.

DO NOT SCALE DRAWING

ITEM	PART NO.	QTY.	DESCRIPTION/REMARKS
DRW. E. DIAZ			
CHK'D DE			
APP'D.			
DATE			
DATE			
DATE			
<b>Daniel's Manufacturing Corp.</b> DANIELS MANUFACTURING CORP. ORLANDO, FLORIDA CASE 71851			
TITLE: DIE SET ENVELOPE DRAWING			
WHERE USED: SIZE B SCALE 2X CAD P/N Y1681P-ENV SHEET 1 OF 1 POSTING: P/N Y1681P-ENV REV. 1			
MATERIAL: _____ HEAT TREAT: _____ FINISH: _____			