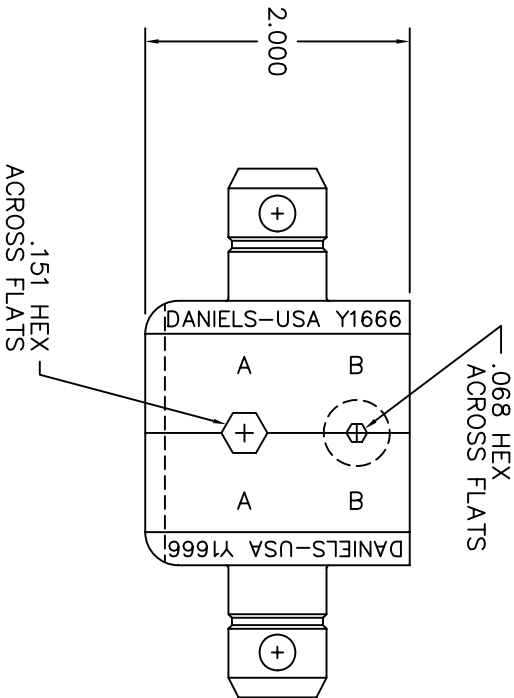
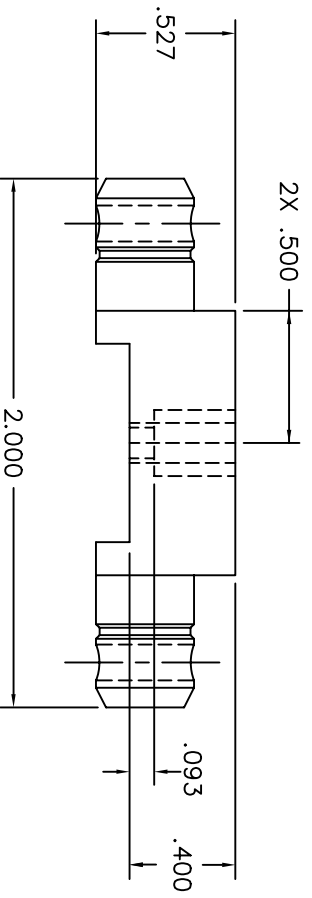


REVISIONS				
REV. NUMBER	E.C.O. NUMBER	DESCRIPTION	BY DATE	APP'D DATE
1		ORIGINAL RELEASE	M. CARRERO 5/24/96	DE 5/96



**UNCONTROLLED DOCUMENT
WILL NOT BE UPDATED**

RESTRICTED & CONFIDENTIAL		MATERIAL		ITEM		PART NO.		QTY.		DESCRIPTION/REMARKS	
CONFIDENTIAL PROPERTY OF DANIELS MANUFACTURING CORP. NOT TO BE DISCLOSED TO OTHERS, REPRODUCED OR USED FOR ANY OTHER PURPOSE, EXCEPT AS AUTHORIZED IN WRITING BY DANIELS MANUFACTURING. MUST BE RETURNED TO DANIELS MANUFACTURING CORP. IN COMPLETE CONDITION OF ORDER, WHICH LENT.		HEAT TREAT		D.M.C. DEPAIVA		DATE 5/21/96		D.M.C. DE		DATE 5/96	
DO NOT SCALE DRAWING		FINISH		APP'D.		DATE		APP'D.		DATE	
				NOTE: THIS DRAWING IS AN OUTLINE DRAWING OF THE RESPECTIVE DMC PART NUMBER INDICATED. ACTUAL DMC PART NUMBER IS DRAWING NUMBER WITHOUT THE "-ENV" SUFFIX.		WHERE USED: SIZE B SCALE 2X POSTING		CAD P/N Y1666-ENV		SHEET 1 OF 1 REV. 1	
				TITLE DIE SET ENVELOPE DRAWING		D.M.C. DANIELS MANUFACTURING CORP. ORLANDO, FLORIDA CASE 11851		DWG. NO. Y1666-ENV			