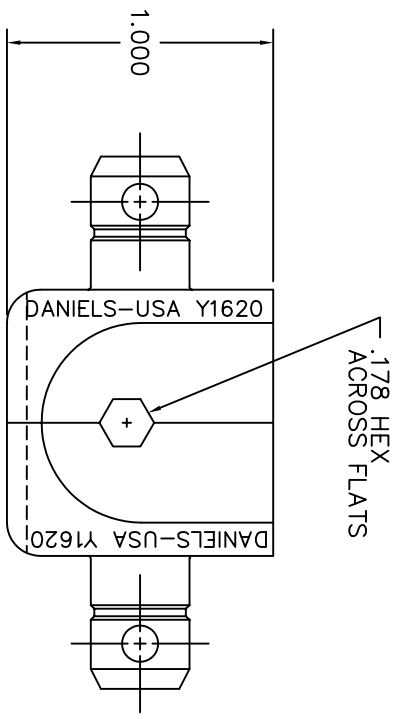
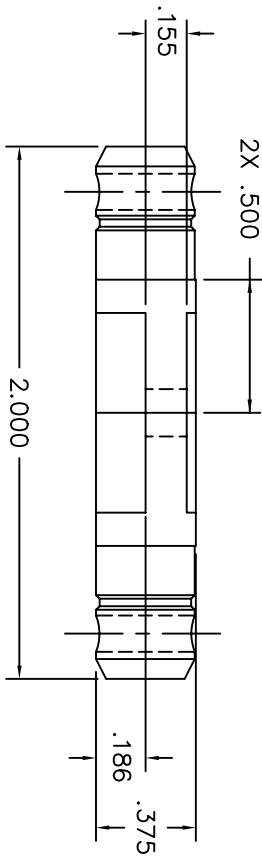


REVISIONS				
REV. NUMBER	E.C.O. NUMBER	DESCRIPTION	BY DATE	APP'D DATE
1		ORIGINAL RELEASE	5/20/98	5/98



**UNCONTROLLED DOCUMENT  
WILL NOT BE UPDATED**

RESTRICTED & CONFIDENTIAL		MATERIAL		ITEM		PART NO.		QTY.		DESCRIPTION/REMARKS	
CONFIDENTIAL PROPERTY OF DANIELS MANUFACTURING CORP. NOT TO BE DISCLOSED TO OTHERS, REPRODUCED OR USED FOR ANY OTHER PURPOSE. EXCEPT AS AUTHORIZED IN WRITING BY DANIELS MANUFACTURING CORP. MUST BE RETURNED TO DANIELS MANUFACTURING CORP. ON COMPLETION OF ORDER OR OTHER PURPOSE FOR WHICH LENT.		HEAT TREAT		DRN. B. KILPATRICK		DATE 5-20-98				<b>DMS</b> DANIELS MANUFACTURING CORP. ORLANDO, FLORIDA CAGE 11851	
				CHK'D. DE		DATE 5-98					
FINISH				APP'D.		DATE				NOTE: THIS DRAWING IS AN OUTLINE DRAWING OF THE RESPECTIVE DIM. PART NUMBER AND PART NUMBER IS DRAWING PART NUMBER WITHOUT THE "-ENV" SUFFIX.	
DO NOT SCALE DRAWING								WHERE USED: SIZE SCALE B 2X POSTING		CAD P/N Y1620-ENV SHEET 1 OF 1 Dwg. No. Y1620-ENV REV. 1	