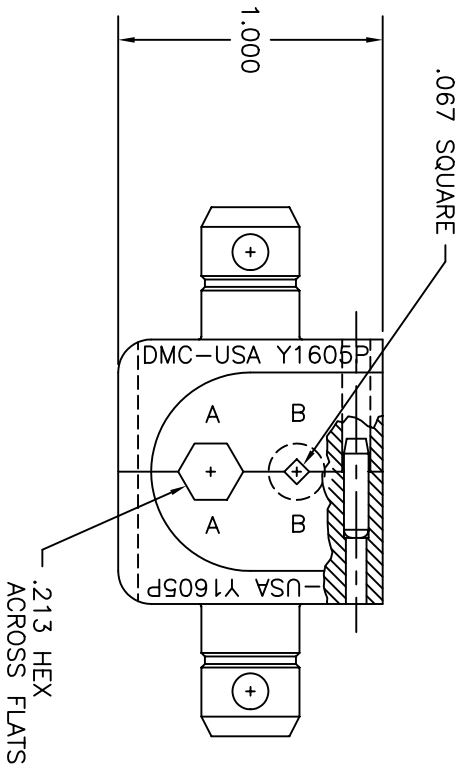
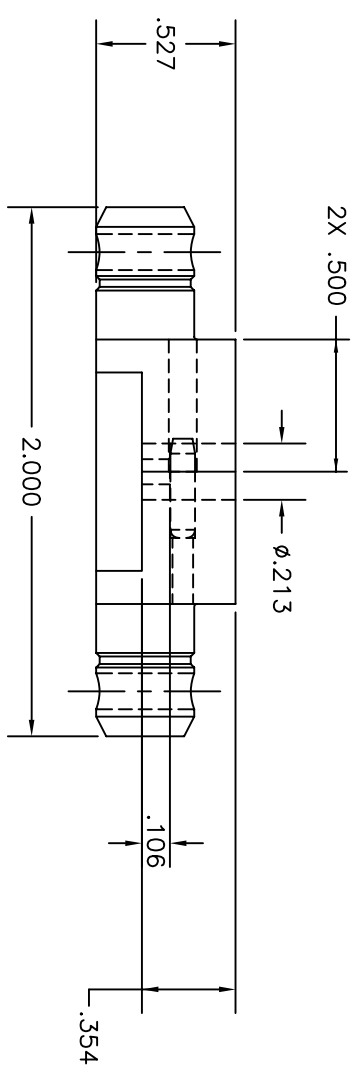


REVISIONS				
REV. NUMBER	E.C.O. NUMBER	DESCRIPTION	BY DATE	APP'D DATE
1		ORIGINAL RELEASE	RRR 6/4/99	RRR 6/4/99



**UNCONTROLLED DOCUMENT  
WILL NOT BE UPDATED**

RESTRICTED & CONFIDENTIAL		MATERIAL		ITEM		PART NO.		QTY.		DESCRIPTION/REMARKS	
CONFIDENTIAL PROPERTY OF DANIELS MANUFACTURING CORP. IT SHALL NOT BE DISCLOSED TO OTHERS, REPRODUCED OR USED FOR ANY OTHER PURPOSE, EXCEPT AS AUTHORIZED IN WRITING BY DANIELS MANUFACTURING. MUST BE RETURNED TO DANIELS MANUFACTURING CORP. ON COMPLETION OF ORDER OR OTHER PURPOSE FOR WHICH INT.		HEAT TREAT FINISH		DMR. J. JOYCE CHK'D. RRR APP'D. RRR DATE 6/4/99	DATE 6/4/99	DMR. J. JOYCE CHK'D. RRR APP'D. RRR DATE 6/4/99	DATE 6/4/99	DMR. J. JOYCE CHK'D. RRR APP'D. RRR DATE 6/4/99	DATE 6/4/99	DANIELS MANUFACTURING CORP. ORLANDO, FLORIDA CAGE 11851	DIE SET ENVELOPE DRAWING
DO NOT SCALE DRAWING		NOTE: THIS DRAWING IS AN OUTLINE DRAWING OF THE RESPECTIVE DMC PART NUMBER INDICATED. ACTUAL DMC PART NUMBER IS DRAWING NUMBER WITHOUT THE "-ENV" SUFFIX.		WHERE USED: SIZE SCALE B 2X		CAD P/N Y1605P-ENV		SHEET OF 1 1		DWG. NO. Y1605P-ENV REV. 1	