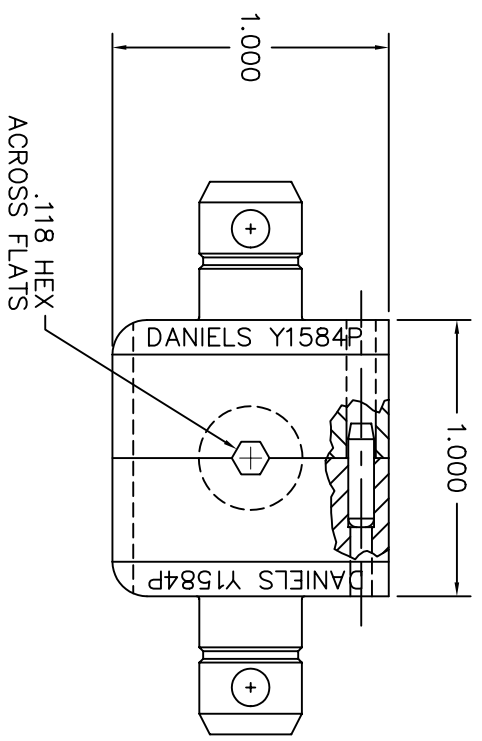
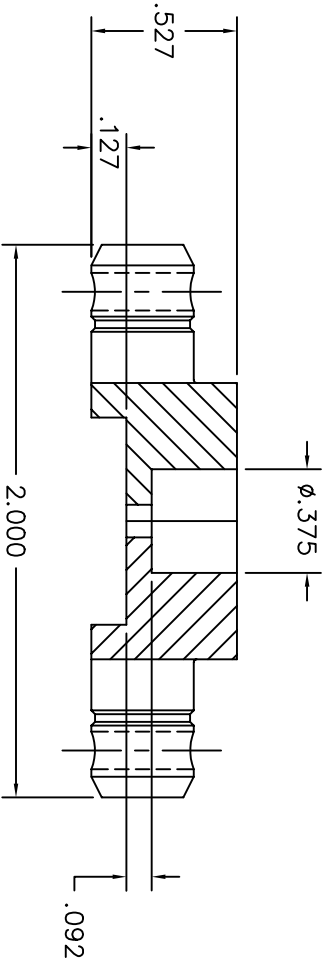


REVISIONS				
REV. STK.	E.C.O. NUMBER	DESCRIPTION	BY DATE	APP'D DATE
1		ORIGINAL RELEASE	JMU 5/20/99	RRR 5/20/99



**UNCONTROLLED DOCUMENT
WILL NOT BE UPDATED**

RESTRICTED & CONFIDENTIAL		MATERIAL		ITEM		PART NO.		QTY.		DESCRIPTION/REMARKS	
CONFIDENTIAL. PROPERTY OF DANIELS MANUFACTURING CORP. NOT TO BE DISCLOSED TO OTHERS. REPRODUCED OR USED FOR ANY OTHER PURPOSE, EXCEPT AS AUTHORIZED IN WRITING BY DANIELS MANUFACTURING. MUST BE RETURNED TO DANIELS MANUFACTURING CORP. ON COMPLETION OF ORDER OR OTHER PURPOSE FOR WHICH SENT.		HEAT TREAT		DRN.	J. JOYCE	DATE	5/20/99			DANIELS MANUFACTURING CORP. ORLANDO, FLORIDA CAGE 11551	
		FINISH		CHK'D.	RRR	DATE	5/20/99				
DO NOT SCALE DRAWING		NOTE:		APP'D.		DATE				DIE SET ENVELOPE DRAWING	
		THIS DRAWING IS AN OUTLINE DRAWING OF THE RESPECTIVE INDICATED. ACTUAL DMC PART NUMBER IS DRAWING NUMBER WITHOUT THE "-ENV" SUFFIX.		WHERE USED:						CAD P/N Y1584P-ENV	
										DMG. NO. Y1584P-ENV	