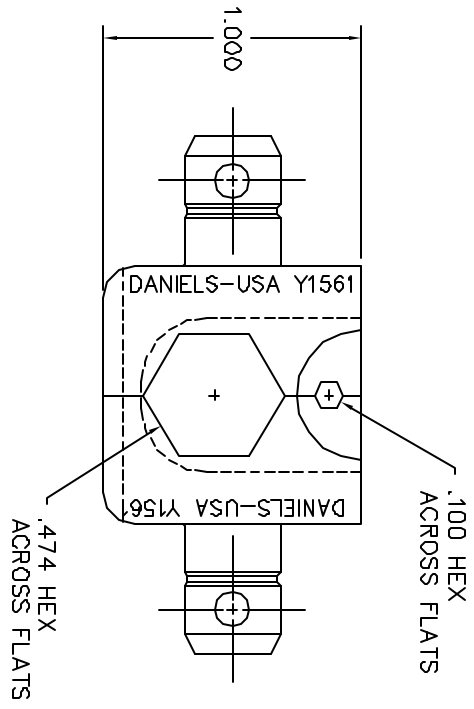
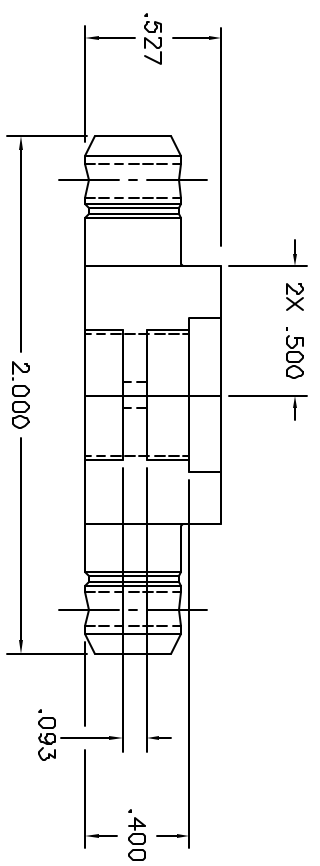



REVISIONS				
REV. NUMBER	E.C.I.D. NUMBER	DESCRIPTION	BY DATE	APPRO. DATE
1		ORIGINAL RELEASE	D.A.O. 12-4-87	DE 12-87



**UNCONTROLLED DOCUMENT
WILL NOT BE UPDATED**

RESTRICTED & CONFIDENTIAL		MATERIAL		ITEM		PART NO.		QTY.		DESCRIPTION/REMARKS	
CONFIDENTIAL PROPERTY OF DANIELS MANUFACTURING CORP. NOT TO BE DISCLOSED TO OTHERS, REPRODUCED OR USED FOR ANY OTHER PURPOSE, EXCEPT AS AUTHORIZED IN WRITING. ALL RIGHTS RESERVED. DANIELS MANUFACTURING CORP. ON COMPLETION OF ORDER OR OTHER PURPOSE FOR WHICH SENT.		HEAT TREAT		DRILL		D. DEPAIVA		DATE		 DANIELS MANUFACTURING CORP. ORLANDO, FLORIDA CAGE 11851	
		FINISH		CMTD		DE		DATE			
DO NOT SCALE DRAWING		APPRO.		APPRO.		DATE		DATE		TITLE	
		APPRO.		APPRO.		DATE		DATE		DIE SET ENVELOPE DRAWING	
		APPRO.		APPRO.		DATE		DATE		WHERE USED	
		APPRO.		APPRO.		DATE		DATE		SCALE 2X	
		APPRO.		APPRO.		DATE		DATE		SHEET 1 OF 1	
		APPRO.		APPRO.		DATE		DATE		REV. 1	
		APPRO.		APPRO.		DATE		DATE		P/N Y1561-ENV	
		APPRO.		APPRO.		DATE		DATE		Y1561-ENV	