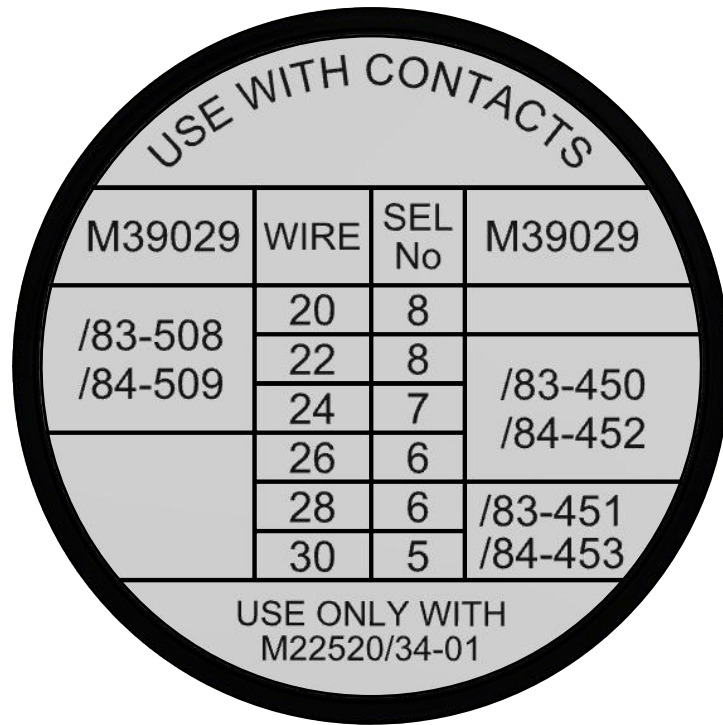


**UNCONTROLLED DOCUMENT  
WILL NOT BE UPDATED**

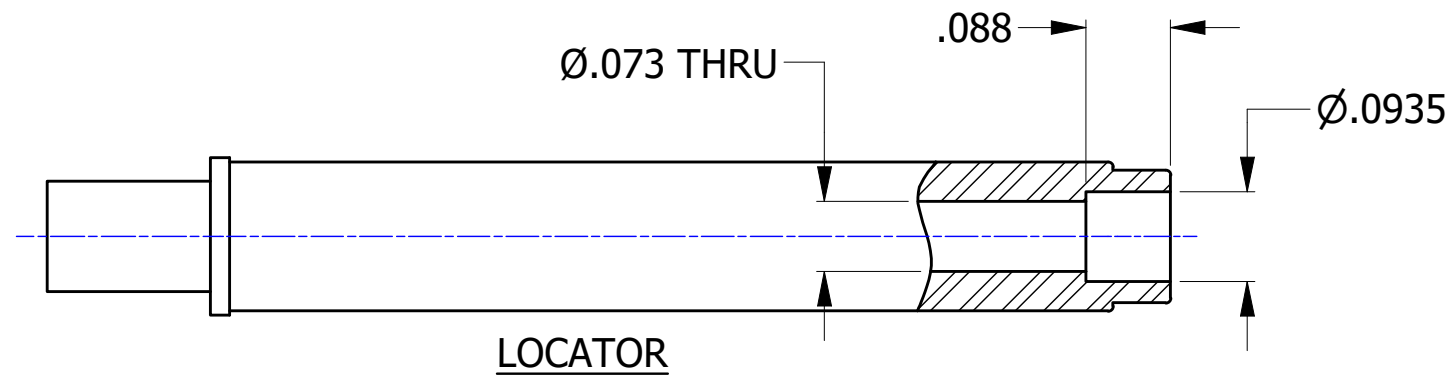
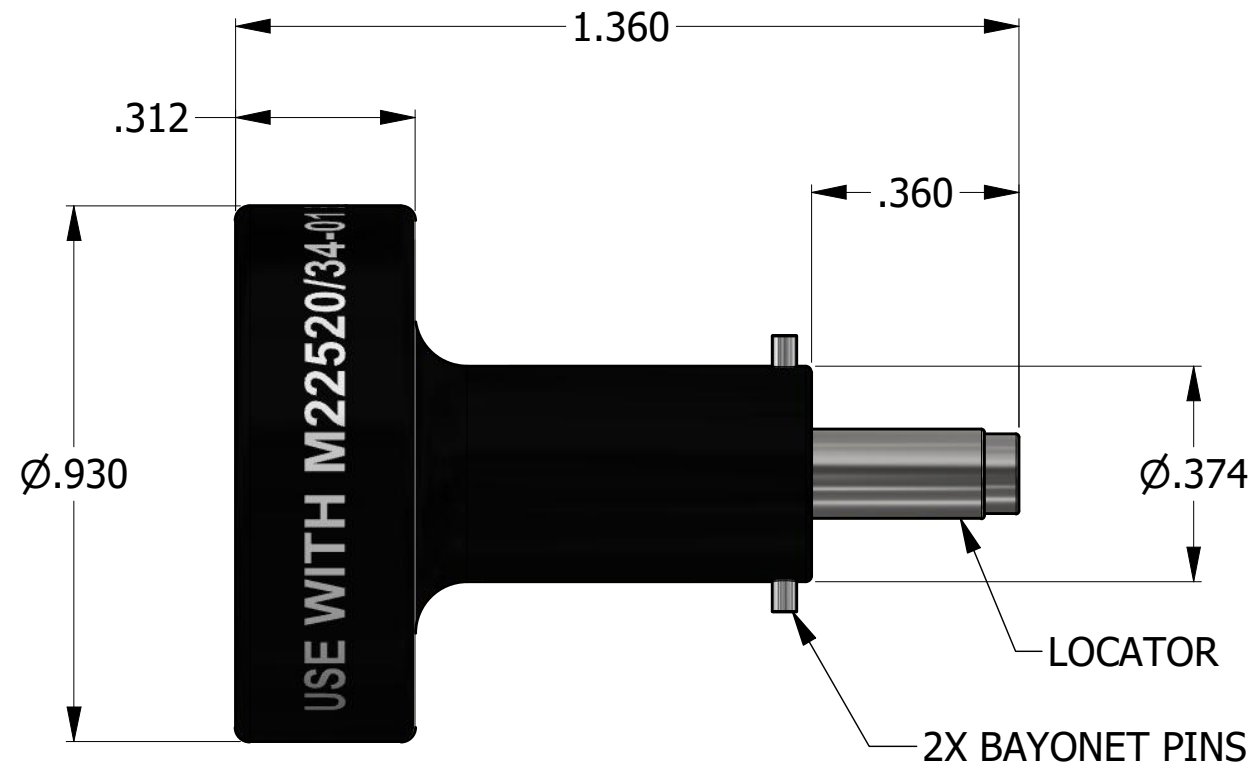
**DIMENSIONS IN INCHES - UNLESS OTHERWISE SPECIFIED**

**REVISIONS**

| REV | ECO NO. | DESCRIPTION       | BY    | DATE       | APP'D BY | DATE     |
|-----|---------|-------------------|-------|------------|----------|----------|
| 2   |         | REVISED DATAPLATE | AAM   | 9/8/1997   | DE       | 9/8/1997 |
| 3   | 25000   | DATAPLATE UPDATED | TonyD | 12/12/2020 |          |          |



DATAPLATE



| MATERIAL                                                                                                                                                                                                                                                                                                                 | ITEM                        | PART NO.              | QTY. | DESCRIPTION / REMARKS                                                                          |
|--------------------------------------------------------------------------------------------------------------------------------------------------------------------------------------------------------------------------------------------------------------------------------------------------------------------------|-----------------------------|-----------------------|------|------------------------------------------------------------------------------------------------|
| N/A                                                                                                                                                                                                                                                                                                                      | DRN. A. MOO-YOUNG<br>CHK'D. | DATE 9/8/1997<br>DATE |      | <b>DMC</b> DANIELS MANUFACTURING CORP.<br>ORLANDO, FLORIDA<br>CAGE 11851                       |
| RESTRICTED & CONFIDENTIAL<br>CONFIDENTIAL PROPERTY OF DANIELS MANUFACTURING CORP. NOT TO BE DISCLOSED TO OTHERS. REPRODUCTION OR USED FOR ANY OTHER PURPOSE EXCEPT AS AUTHORIZED IN WRITING BY DANIELS MANUFACTURING. MUST BE RETURNED TO DANIELS MANUFACTURING CORP. ON COMPLETION OF ORDER OR PURPOSES FOR WHICH LENT. | HEAT TREAT                  | N/A                   |      | TITLE<br><b>POSITIONER<br/>(M22520/34-02)<br/>ENVELOPE DRAWING</b>                             |
| CREATED FROM AN INVENTOR MODEL.<br>CHANGES MUST BE REFLECTED IN THE 3D PART                                                                                                                                                                                                                                              | FINISH                      | N/A                   |      | WHERE USED:<br>SIZE B SCALE 3 : 1<br>CAD P/N 39-102-ENV SHEET 1 OF 1<br>DWG. NO. 39-102 REV. 3 |
| DO NOT SCALE DRAWING                                                                                                                                                                                                                                                                                                     |                             |                       |      |                                                                                                |

**NOTE:**  
THIS DRAWING IS AN OUTLINE DRAWING OF THE RESPECTIVE DMC PART NUMBER INDICATED. ACTUAL DMC PART NUMBER IS CAD PART NUMBER WITHOUT THE "-ENV" SUFFIX