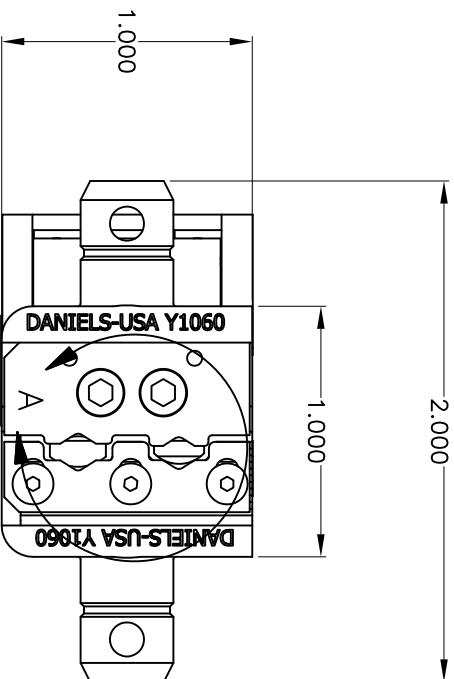
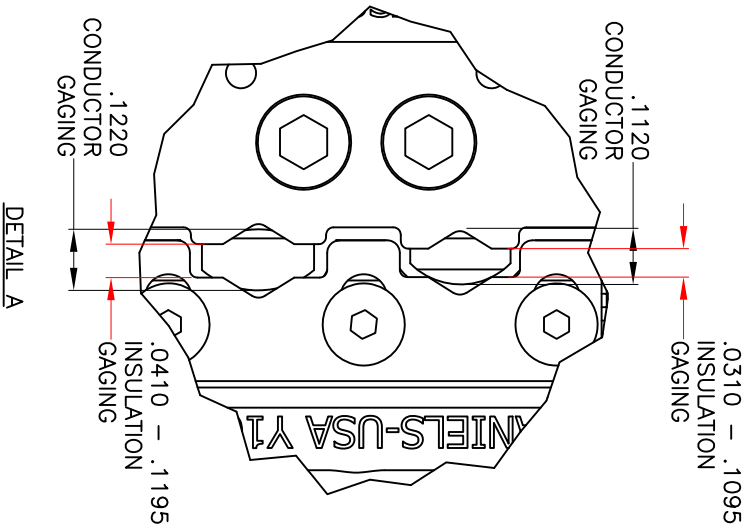


| REVISIONS |                  | BY       | DATE    | APP'D |
|-----------|------------------|----------|---------|-------|
| REV       | DESCRIPTION      | NUMBER   | DATE    | DATE  |
| 1         | ORIGINAL RELEASE | K. KOONS | 2.20.07 | RRR   |



**UNCONTROLLED DOCUMENT  
WILL NOT BE UPDATED**

1. Y1060 DIE SET WHEN USED WITH DMC HX4 TOOL FRAME (M22520/5-01), IS FUNCTIONALLY EQUIVALENT TO TYCO 59250.

NOTES:

|  |  |  |  |             |  |                       |  |       |  |   |  |
|--|--|--|--|-------------|--|-----------------------|--|-------|--|---|--|
| RESTRICTED & CONFIDENTIAL  |  | MATERIAL   |  | ITEM        |  | PART NO.              |  | QTY.  |  | DESCRIPTION/REMARKS                                     |  |
| CONFIDENTIAL PROPERTY OF DANIELS MANUFACTURING CORP. NOT TO BE DISCLOSED TO OTHERS. REPRODUCED WITHOUT PERMISSION OF DANIELS MANUFACTURING CORP. EXCEPT AS AUTHORIZED IN WRITING BY DANIELS MANUFACTURING. MUST BE RETURNED TO DANIELS MANUFACTURING CORP. ON COMPLETION OF ORDER OR OTHER PURPOSE FOR WHICH LENT. |  | FINISH   |  | DIN. DATE   |  | Kirk C. Koons 2.20.07 |  | RRR   |  | DANIELS MANUFACTURING CORP. ORLANDO, FLORIDA CAGE 11851 |  |
| HEAT TREAT   |  | APP'D.   |  | DATE        |  | 2.20.07               |  | TITLE |  | DIE SET   |  |
| DO NOT SCALE DRAWING   |  | NOTE: THIS DRAWING IS AN OUTLINE DRAWING OF THE RESPECTIVE DMC PART NUMBER INDICATED. ORIGINAL DMC NUMBER WITHOUT THE "-ENV" SUFFIX. |  | WHERE USED: |  | SCALE                 |  | SHEET |  | OF  |  |
|  |  | B  |  | NTS         |  | Y1060-ENV             |  | 1     |  | 1   |  |
|  |  | P/N  |  | Y1060-ENV   |  |                       |  | 1     |  | 1   |  |