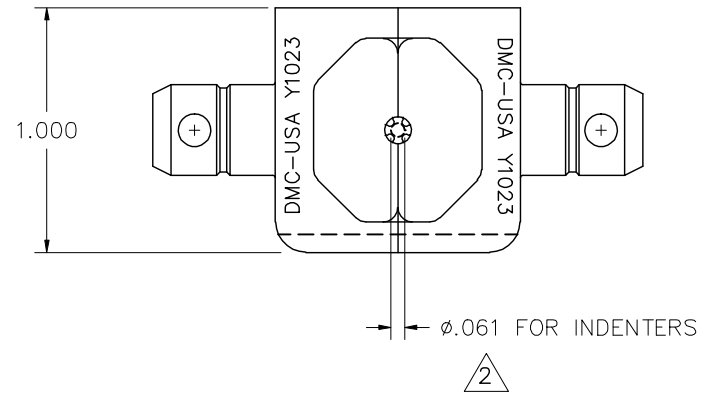
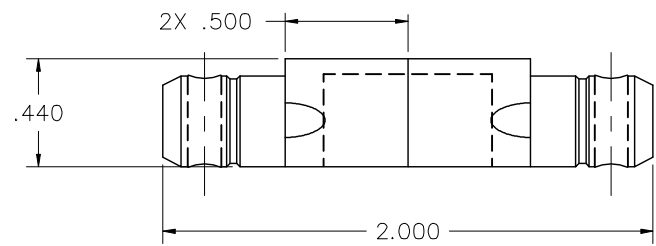


REVISIONS				
REV. SYM.	E.C.O. NUMBER	DESCRIPTION	BY DATE	APP'D DATE
PO		PRELIMINARY	JWJ 3/6/02	RRR 3/6/02

**UNCONTROLLED DOCUMENT
WILL NOT BE UPDATED**



2. MEASURE INDENTER GAGING WITH DIE SET MOUNTED IN DANIELS HX4 CRIMP TOOL (OR EQUIVALENT). TOOL SHOULD BE FULLY CLOSED WITH MEASURABLE FORCE (20 LBS. MIN.) APPLIED.

1. USED TO CRIMP SPECIAL CONTACT OF WOOD GROUP LOGGING SERVICES (EQUIVALENT TO AF8, SELECTOR 7).

NOTES:

RESTRICTED & CONFIDENTIAL CONFIDENTIAL PROPERTY OF DANIELS MANUFACTURING CORP. NOT TO BE DISCLOSED TO OTHERS, REPRODUCED OR USED FOR ANY OTHER PURPOSE EXCEPT AS AUTHORIZED IN WRITING BY DANIELS MANUFACTURING. MUST BE RETURNED TO DANIELS MANUFACTURING CORP. ON COMPLETION OF ORDER OR OTHER PURPOSE FOR WHICH LENT.	MATERIAL	ITEM	PART NO.	QTY.	DESCRIPTION/REMARKS	
	HEAT TREAT	DRN.	J. JOYCE	DATE	DANIELS MANUFACTURING CORP. ORLANDO, FLORIDA CAGE 11851	
	FINISH	CHK'D.	RRR	DATE		
	DO NOT SCALE DRAWING		APP'D.		DATE	TITLE
		NOTE: THIS DRAWING IS AN OUTLINE DRAWING OF THE RESPECTIVE DMC PART NUMBER INDICATED. ACTUAL DMC PART NUMBER IS DRAWING NUMBER WITHOUT THE "-ENV" SUFFIX.			DIE SET ENVELOPE DRAWING	
		SIZE	SCALE	CAD P/N	SHEET	OF
		B	2X	Y1023-ENV	1	1
		POSTING	DWG. NO.		REV.	
			Y1023-ENV		PO	