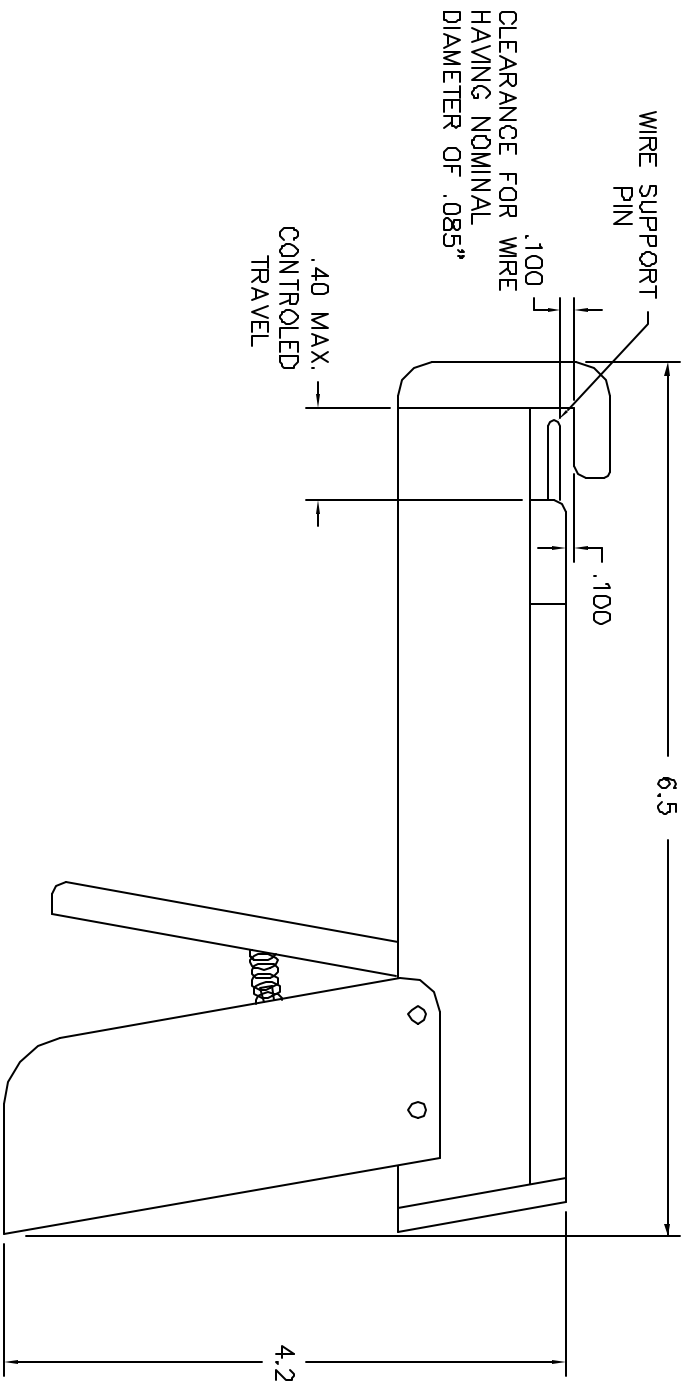



REVISIONS			
REV. NO.	DESCRIPTION	BY DATE	APP'D DATE
1	ORIGINAL RELEASE	J STRALTON 3-16-92	RSS 3-20-92



**UNCONTROLLED DOCUMENT
WILL NOT BE UPDATED**

RESTRICTED & CONFIDENTIAL		CONFIDENTIAL PROPERTY OF DANIELS MANUFACTURING CORP. NOT TO BE REPRODUCED OR USED FOR ANY OTHER PURPOSE EXCEPT AS AUTHORIZED IN WRITING BY DANIELS MANUFACTURING. MUST BE RETURNED TO DANIELS MANUFACTURING CORP. ON COMPLETION OF ORDER OR OTHER PURPOSE FOR WHICH LENT.	
MATERIAL	HEAT TREAT	FINISH	DO NOT SCALE DRAWING
ITEM	PART NO.	QTY.	DESCRIPTION/REMARKS
DRN. J. STRALTON	DATE 3-10-92		 DANIELS MANUFACTURING CORP. ORLANDO, FLORIDA CAGE 77857
CHKD. JSS	DATE 3-20-92		
APPRD.	DATE		
APPRD.	DATE		
TITLE		WHERE USED:	
WIRE SEPARATOR TOOL ENVELOPE DRAWING		CAD P/N	SHEET OF
		WST8139-ENV	1 1
		P/N	REV.
		WST8139-ENV	1