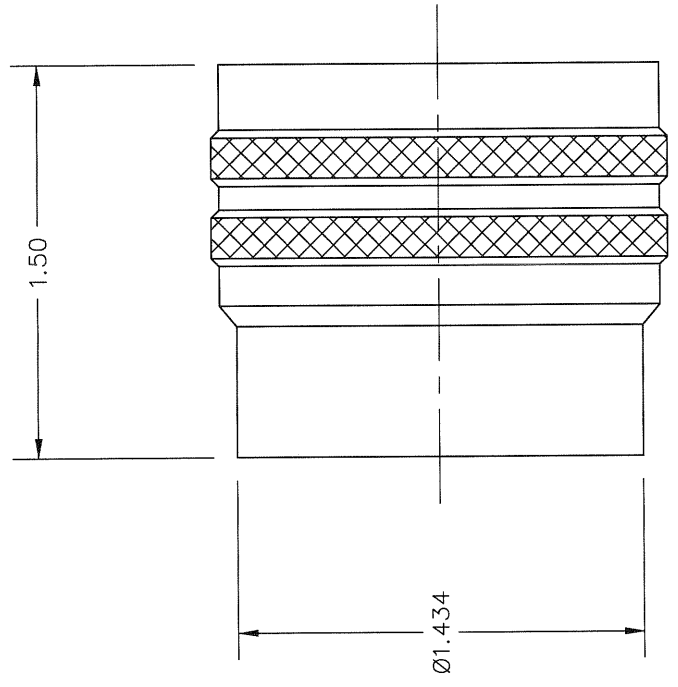


REV. SYM.		E.C.O. NUMBER	DESCRIPTION	BY DATE	APPRO. DATE
1			ORIGINAL RELEASE	3/19/08	

MASTER KEY DOT




Ø1.289

Ø1.434

1.50

**UNCONTROLLED DOCUMENT
WILL NOT BE UPDATED**

ITEM	PART NO.	QTY.	DESCRIPTION/REMARKS
DRN. <i>Jerry Dilworth</i>	DATE 3/19/08		 DANIELS MANUFACTURING CORP. ORLANDO, FLORIDA CAGE 11851
CHK'D.	DATE		
APP'D.	DATE		TITLE
APP'D.	DATE		ADAPTOR TOOL FOR MIL-C-38999 SERIES 3 PLUGS
WHERE USED: NOTE: THIS DRAWING IS AN OUTLINE DRAWING OF THE RESPECTIVE DIMC PART NUMBER INDICATED. ACTUAL DIMC PART NUMBER IS DRAWING NUMBER WITHOUT THE "-ENV" SUFFIX.			
MATERIAL			SCALE
HEAT TREAT			B NTS
FINISH			POSTING
			CAD P/N
			P/N
			CM389T-23A-ENV
			SHEET OF
			REV. 1

RESTRICTED & CONFIDENTIAL
 CONFIDENTIAL PROPERTY OF DANIELS MANUFACTURING CORP. SHALL NOT BE DISCLOSED TO OTHERS, REPRODUCED OR USED FOR ANY OTHER PURPOSE EXCEPT AS AUTHORIZED IN WRITING BY DANIELS MANUFACTURING CORP. ON COMPLETION OF ORDER OR OTHER PURPOSE FOR WHICH LEFT.