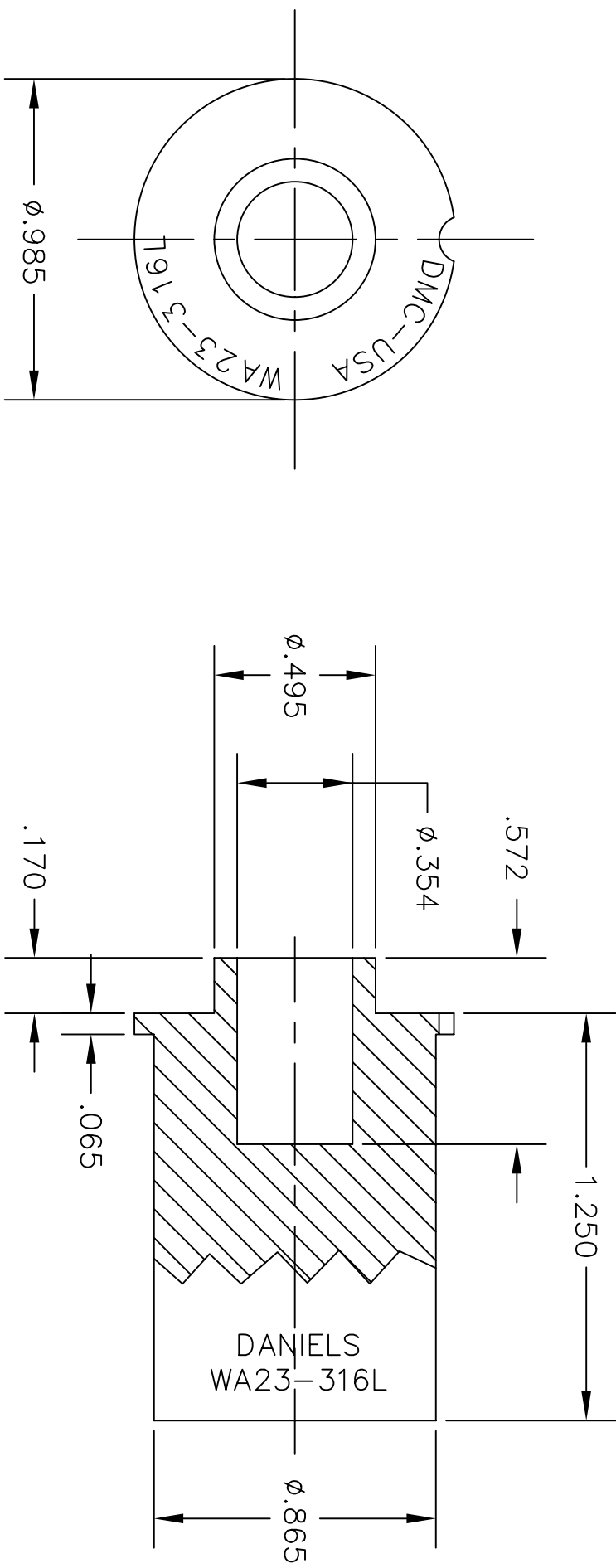


# UNCONTROLLED DOCUMENT WILL NOT BE UPDATED

| REVISIONS |               | DESCRIPTION               | BY DATE         | APP'D DATE      |
|-----------|---------------|---------------------------|-----------------|-----------------|
| 2         | E.C.O. NUMBER | REVISED HOLE SIZE & DEPTH | JWJ<br>10/18/06 | RRR<br>10/18/06 |



**RESTRICTED & CONFIDENTIAL**

CONFIDENTIAL PROPERTY OF DANIELS MANUFACTURING CORP. NOT TO BE DISCLOSED TO OTHERS, REPRODUCED OR USED FOR ANY OTHER PURPOSE, EXCEPT AS AUTHORIZED IN WRITING BY DANIELS MANUFACTURING. MUST BE RETURNED TO DANIELS MANUFACTURING CORP. ON COMPLETION OF ORDER OR OTHER PURPOSE FOR WHICH LENT.

**MATERIAL**

**HEAT TREAT**

**FINISH**

|             |                 |             |
|-------------|-----------------|-------------|
| <b>ITEM</b> | <b>PART NO.</b> | <b>DATE</b> |
| DRN.        | J. JOYCE        | 10/9/06     |
| CHK'D.      | RRR             | 10/9/06     |
| APP'D.      |                 | DATE        |
| APP'D.      |                 | DATE        |

**NOTE:**

THIS DRAWING IS AN OUTLINE DRAWING OF THE RESPECTIVE DMC PART NUMBER INDICATED. ACTUAL DMC PART NUMBER IS DRAWING NUMBER WITHOUT THE "-ENV" SUFFIX.

WHERE USED:

**LOCATOR ENVELOPE DRAWING**

**DO NOT SCALE DRAWING**

**FINISH**

**THIS DRAWING IS AN OUTLINE DRAWING OF THE RESPECTIVE DMC PART NUMBER INDICATED. ACTUAL DMC PART NUMBER IS DRAWING NUMBER WITHOUT THE "-ENV" SUFFIX.**

|                |              |                 |                 |
|----------------|--------------|-----------------|-----------------|
| <b>SIZE</b>    | <b>SCALE</b> | <b>CAD P/N</b>  | <b>SHEET OF</b> |
| A              | NTS          | WA23-316L-ENV   | 1               |
| <b>POSTING</b> |              | <b>DMG. NO.</b> | <b>REV.</b>     |
|                |              | WA23-316L-ENV   | 2               |

**DANIELS MANUFACTURING CORP. ORLANDO, FLORIDA CAGE 11851**