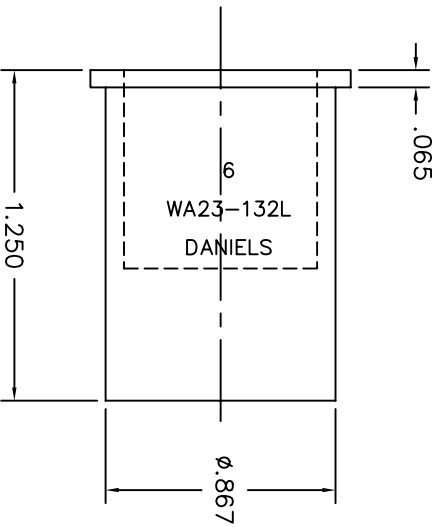
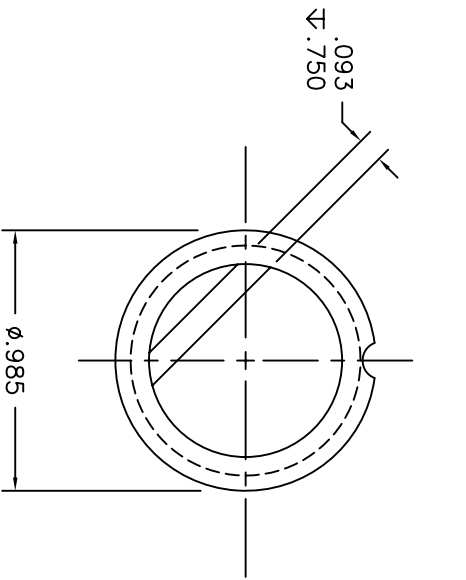


REVISIONS			
REV. SYM.	E.C.O. NUMBER	DESCRIPTION	BY DATE
1		ORIGINAL RELEASE	JMU 1/9/01 RRR 1/9/01



**UNCONTROLLED DOCUMENT
WILL NOT BE UPDATED**

RESTRICTED & CONFIDENTIAL CONFIDENTIAL PROPERTY OF DANIELS MANUFACTURING CORP. NOT TO BE DISCLOSED TO OTHERS, REPRODUCED OR COPIED ON ANY MEDIUM, PRINTED OR ELECTRONIC, WITHOUT THE WRITTEN PERMISSION OF DANIELS MANUFACTURING CORP. ON COMPLETION OF ORDER OR OTHER PURPOSE FOR WHICH LENT.		MATERIAL		FINISH	
		HEAT TREAT			
ITEM	PART NO.	QTY.	DESCRIPTION/REMARKS		
DRN. J. JOYCE	DATE 1/9/01		Daniel's Manufacturing Corp. DANIELS MANUFACTURING CORP. ORLANDO, FLORIDA CASE 11851		
CHK'D. RRR	DATE 1/9/01				
APP'D.	DATE				
APP'D.	DATE		TITLE: LOCATOR ENVELOPE DRAWING WHERE USED: CAD P/N WA23-132L-ENV SIZE: B SCALE: NTS SHEET 1 OF 1 POSTING: DWG. NO. WA23-132L-ENV REV. 1		
NOTE: THIS DRAWING IS AN OUTLINE DRAWING OF THE RESPECTIVE DIM PART NUMBER INDICATED. ACTUAL DIM PART NUMBER IS DRAWING PART NUMBER WITH SUFFIX THE -ENV SUFFIX.					
DO NOT SCALE DRAWING					