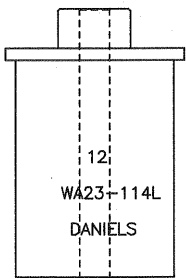
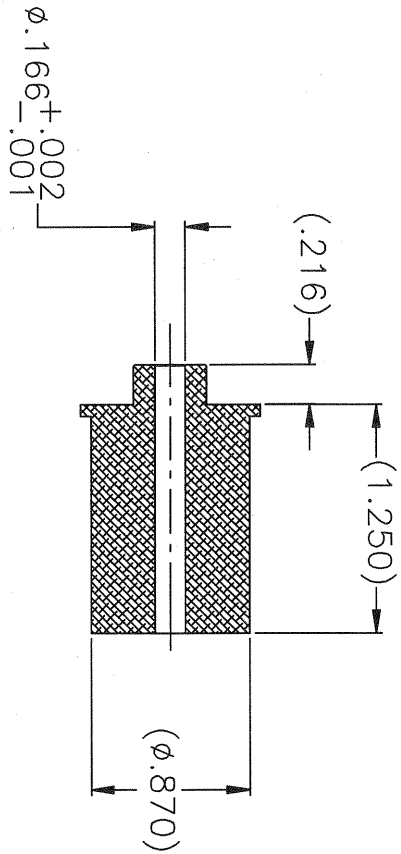
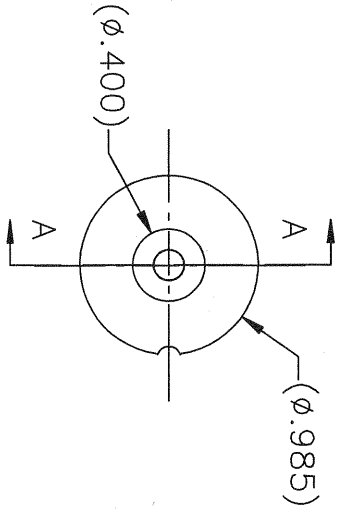


FOR 12 GAGE WIRE, USE WITH WA23-168DA DIE ASSEMBLY.
 FOR 14 GAGE WIRE, USE WITH WA23-169DA DIE ASSEMBLY.

WA23-114L-ENV




2. MAT'L: REF. 2024 ALUM.
 NOTES: 1. THIS IS AN AUTOCAD DRAWING, DO NOT CHANGE MANUALLY.

REV.	DESCRIPTION	BY	DATE	APR.
A	NEW RELEASE.	DYO	02-02-12	MMK

THESE DRAWINGS, SPECIFICATIONS OR OTHER DATA ARE AND REMAIN THE PROPERTY OF ASTRO TOOL CORP. AND MUST BE RETURNED UPON REQUEST. THEY CONTAIN INFORMATION OWNED AND/OR DEVELOPED BY ASTRO AT ITS OWN PRIVATE EXPENSE AND MAY NOT BE USED, DUPLICATED OR DISCLOSED TO OTHERS, IN WHOLE OR IN PART FOR DESIGN, MANUFACTURE OR PROCUREMENT WITHOUT THE WRITTEN PERMISSION OF ASTRO TOOL CORP. EACH AND EVERY TIME.

SCALE:	N.T.S.	UNLESS OTHERWISE SPECIFIED:
DWN BY:	DYO	DECIMALS:
DATE:	02-02-12	.XXX ± .005
APPROVED:		.XX ± .010
		X ± .030
		ANGLES:
		± 1°

 21615 S.W. TUALATIN VALLEY HWY., BEAVERTON OR 97006 ASTRO TOOL CORP.	DESCRIPTION: ENVELOPE DRAWING: WA23-114L LOCATOR, 12 GAGE	CAGE 58164
		PART NO. A WA23-114L-ENV