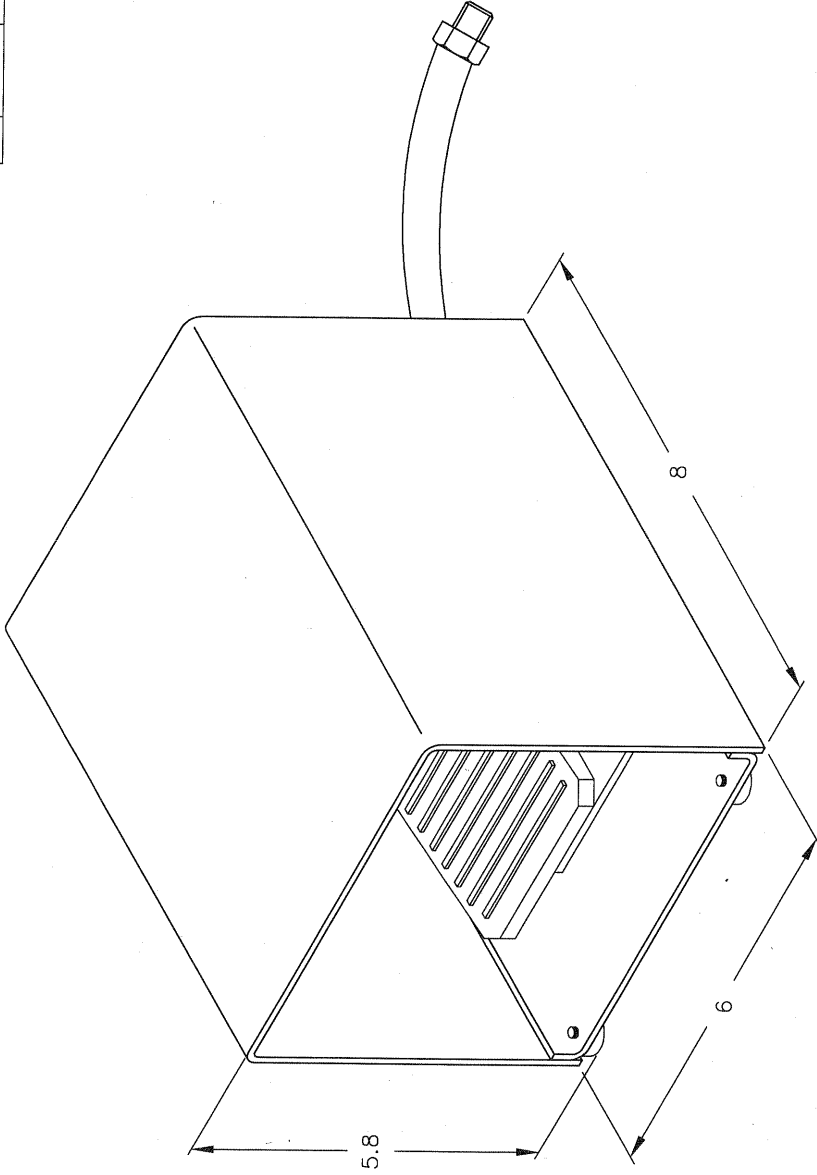


REVISIONS


REV. SYM.	E.C.O. NUMBER	DESCRIPTION	BY DATE	APP'D DATE
1		ORIGINAL RELEASE	SAL 5-10-05	RRR 5-10-05
2	21619	ADDED HOSE	KDH 2-28-10	RRR 2-28-10



RESTRICTED & CONFIDENTIAL
 CONFIDENTIAL PROPERTY OF DANIELS MANUFACTURING CORP. NOT TO BE DISCLOSED TO OTHERS. REPRODUCED WITHOUT PERMISSION OF DANIELS MANUFACTURING CORP. EXCEPT AS AUTHORIZED IN WRITING BY DANIELS MANUFACTURING CORP. MUST BE RETURNED TO DANIELS MANUFACTURING CORP. ON COMPLETION OF ORDER OR OTHER PURPOSE FOR WHICH LENT.

DO NOT SCALE DRAWING

**UNCONTROLLED DOCUMENT
 WILL NOT BE UPDATED
 DIMENSIONS IN INCHES - UNLESS OTHERWISE SPECIFIED**

ITEM		PART NO.		QTY.	DESCRIPTION/REMARKS
DRN.	SAL	DATE	DATE		 DANIELS MANUFACTURING CORP. ORLANDO, FLORIDA CAGE 11851
CHKD.	RRR	5-10-05	5-10-05		
APPD.					
MATERIAL		DATE			TITLE
HEAT TREAT		DATE			FOOT PEDAL ASSEMBLY ENVELOPE DRAWING
FINISH		DATE			WHERE USED:
NOTE: THIS DRAWING IS AN ASSOCIATIVE DRAWING OF THE RESPECTIVE DMC PART NUMBER INDICATED. ACTUAL DMC PART NUMBER IS DRAWING NUMBER WITHOUT THE "-ENV" SUFFIX.		SCALE		SIZE	POSTING
		B		NTS	CAD P/A
					WA10A-ENV
					SHEET OF
					1
					REV.
					2