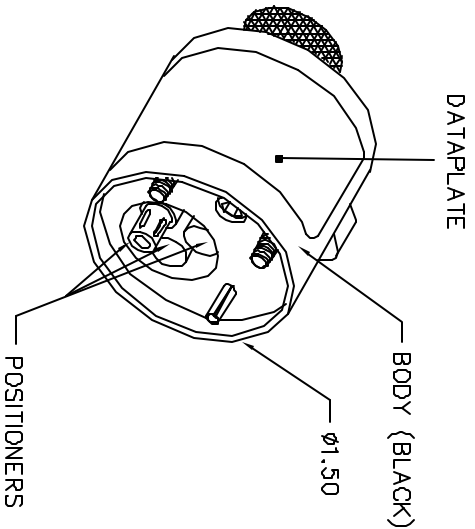
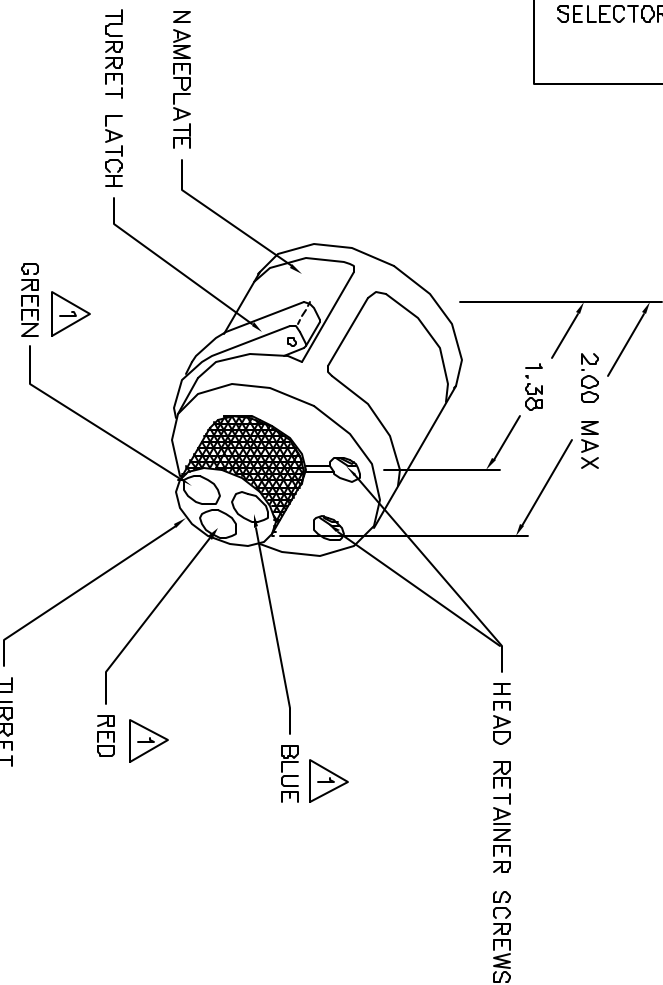


VEAM CONTACTS	COLOR CODE	1.5	1.2	1.8	1	.75	2.0	0.6	0.5	2.2	0.4	AWG	WIRE SIZE
45787-20S 46117-20P, -20S 46178-201P, -202P 46179-201, -202 10-314980-20P	RED						2			1		mm	
45787-16S 10-314980-16P	BLUE			5	4		2						
27961	GREEN	5	5	5	5								
45450	GREEN					5							
SELECTOR NUMBER													



POSITIONER COLOR	HOLE DIMENSIONS	ADDITIONAL FEATURES
RED	$\phi .086$ ± 1.14 MIN.	$\square \phi .106$ $\pm .30$
BLUE	$\phi .125$ $\pm .84$ MIN.	$\square \phi .156$ $\pm .055$
GREEN	$\phi .052$ $\pm .655$	$\square \phi .136$ $\pm .545$

* HOLE AND COUNTERBORE DEPTHS ARE MEASURED FROM TOP OF POSITIONER INSERTS.



1 RANDOM ORDER OF ROTATION IS ACCEPTABLE.

**UNCONTROLLED DOCUMENT
WILL NOT BE UPDATED**

REV. SYM.	ECN. NUMBER	DESCRIPTION	BY	DATE	APPRO. DATE
1		ORIGINAL RELEASE	AM	10-31-00	10-31-00

RESTRICTED & CONFIDENTIAL		CONFIDENTIAL PROPERTY OF DANIELS MANUFACTURING CORP. NOT TO BE DISCLOSED TO OTHERS, REPRODUCED OR USED FOR ANY OTHER PURPOSE EXCEPT AS AUTHORIZED IN WRITING BY DANIELS MANUFACTURING CORP. ON COMPLETION OF ORDER OR OTHER PURPOSE FOR WHICH INT.	
ITEM	PART NO.	QTY.	DESCRIPTION/REMARKS
DRN. N. HMO-YOUNG	10-31-00		DANIELS MANUFACTURING CORP. ORLANDO, FLORIDA GAGE 11451
CHKS. RRR	DATE 10-31-00		
APPS	DATE		
APPS	DATE		
TITLE		WHERE USED: VMS	
ENVELOPE DRAWING		SIZE SCALE	
TURRET HEAD		B NTS	
P/N		CAD P/N	
VH441-ENV		VH441-ENV	
SHEET 1 OF 1		REV. 1	
P/N		VH441-ENV	

DO NOT SCALE DRAWING