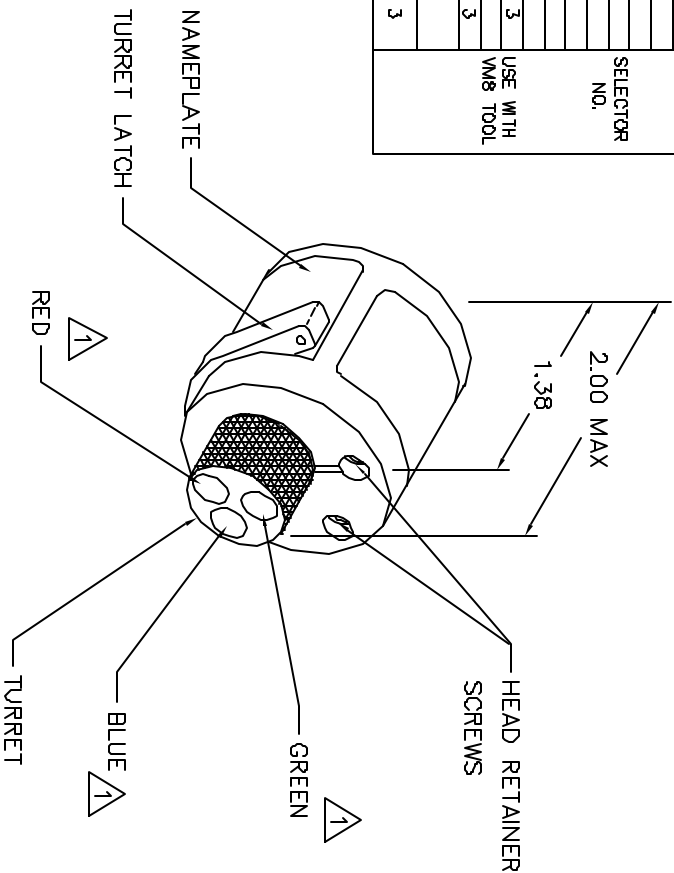
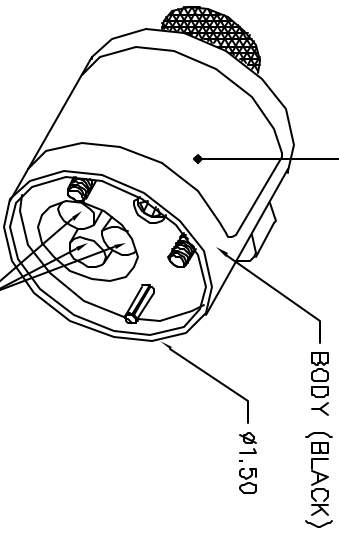


VAN SYSTEM CONTACTS	COLOR CODE	6mm ²	4mm ²	12 ² 3mm ²	2.5mm ² 1.9mm ²	1.4 ² 1.5mm ²	1.6 ² 1.2mm ²	1.8 ² 1mm ²	2.0 ² .8mm ²	2.5mm ²	WIRE SIZE
-15											
-15R											
ST485-12P	RED				6	5		8	7	6	6
ST485-12S											
-R					8	7	6				
-30											
-35											
ST485-10S								7	6	5	
ST485-16SR								7	6	5	3
ST485-16P	BLUE							7	6	5	3
ST485-10PR								7	6	5	3
ST485-16SP								7	6	5	3
ST485-16SS								7	6	5	3
ST485-169PR	GREEN							7	6	5	3
ST485-169SR								7	6	5	3



POSITIONER COLOR	* HOLE DIMENSIONS	ADDITIONAL FEATURES
RED	Ø.205 ±.954	
BLUE	Ø.090 ±.749	□ Ø.133 ±.670
GREEN	Ø.133 ±.576	

NOTES:

1. RANDOM ORDER OF ROTATION IS ACCEPTABLE.
2. USE WITH VMB CRIMP TOOL.

* HOLE DEPTH DIMENSIONS ARE MEASURED FROM THE TOP OF THE POSITIONER INSERTS.

REV'S		E.C.D. NUMBER		DESCRIPTION		DT	DATE	APP'D
SYMBOL	NO.	DATE	BY	DATE	BY	DATE	BY	DATE
2		REDRAWN				3-4-02		

**UNCONTROLLED DOCUMENT
WILL NOT BE UPDATED**

RESTRICTED & CONFIDENTIAL
 PROPRIETARY PROPERTY OF DANIEL'S MANUFACTURING CORP. NOT TO BE DISCLOSED TO OTHERS, REPRODUCED OR USED FOR ANY OTHER PURPOSE, EXCEPT AS AUTHORIZED IN WRITING BY DANIEL'S MANUFACTURING. MUST BE RETURNED TO DANIEL'S MANUFACTURING OR OTHER PURPOSE FOR WHICH SENT.

ITEM	PART NO.	QTY.	DESCRIPTION/REMARKS
DRN	DATE		
CHK'D	DATE		
APP'D	DATE		
APP'D	DATE		

SIZE	SCALE	TAB P/N	SHEET	OF
B	NTS	VH435-1-ENV	1	1
PURCHAS		PN VH435-1-ENV	REV	2

Daniel's Manufacturing Corp.
 DANIEL'S MANUFACTURING CORP.
 ORLANDO, FLORIDA
 CA#E 11851

**ENVELOPE DRAWING
TURRET HEAD**

WHERE USED: VMB

DO NOT SCALE DRAWING