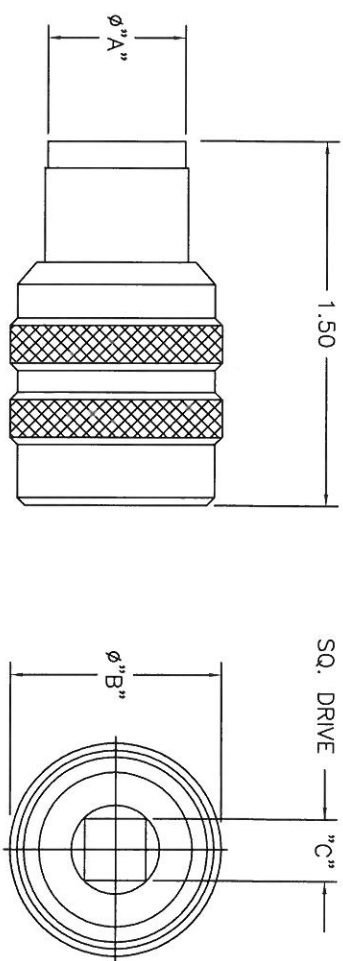


REVISIONS				
REV. NUMBER	E.C.O. NUMBER	DESCRIPTION	BY DATE	APP'D DATE
1		ORIGINAL RELEASE	LE 8-25-87	JS 8-87
2		ADDED OD TO CHART	TD 7-15-13	



PART NO.	DIM. "A"	DIM. "B"	DIM. "C"	KEYING POSITIONS
CM389S-24	1.480	1.750	3/8	ALL
CM389S-22	1.353	1.625	3/8	ALL
CM389S-20	1.230	1.500	3/8	ALL
CM389S-18	1.103	1.375	3/8	ALL
CM389S-16	.980	1.250	1/4	ALL
CM389S-14	.855	1.125	1/4	ALL
CM389S-12	.731	1.000	1/4	ALL
CM389S-10	.571	.875	1/4	ALL
CM389S-8	.451	.812	1/4	ALL

**UNCONTROLLED DOCUMENT
WILL NOT BE UPDATED
DIMENSIONS IN INCHES - UNLESS OTHERWISE SPECIFIED**

RESTRICTED & CONFIDENTIAL		MATERIAL		ITEM		PART NO.		QTY.		DESCRIPTION/REMARKS	
CONFIDENTIAL PROPERTY OF DANIELS MANUFACTURING CORP. NOT TO BE REPRODUCED OR USED FOR ANY OTHER PURPOSE EXCEPT AS AUTHORIZED IN WRITING BY DANIELS MANUFACTURING. MUST BE RETURNED TO DANIELS MANUFACTURING UPON REQUEST OR ORDER OR OTHER PURPOSE FOR WHICH LENT.		HEAT TREAT		DRN.	LE	DATE	8-25-87			DANIELS MANUFACTURING CORP. ORLANDO, FLORIDA CASE 11851	
		FINISH		CHK'D.	JS	DATE	9-1-87			ADAPTOR TOOL ENVELOPE DRAWING	
DO NOT SCALE DRAWING		NOTE: THIS DRAWING IS AN OUTLINE DRAWING OF THE RESPECTIVE DIM PART NUMBER INDICATED. ACTUAL DIM PART NUMBER IS DRAWING NUMBER WITH THE "ENV" PREFIX.		APP'D.	TR	DATE	8-25-87			WHERE USED: SCALE B 2X POSTING	
				APP'D.	WJP	DATE	9-1-87			DWG. NO. CM-S-389S-ENV SHEET 1 OF 1 REV. 2	

1. FOR MIL-C-38999 SERIES II PLUGS.

NOTES: