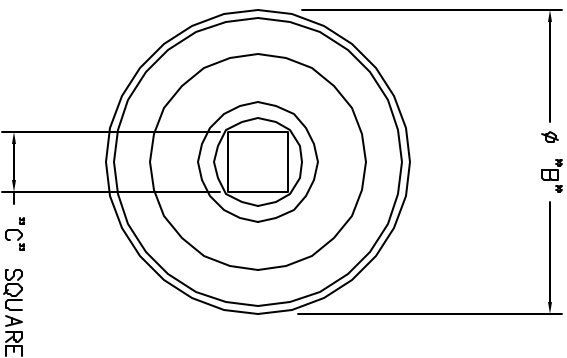
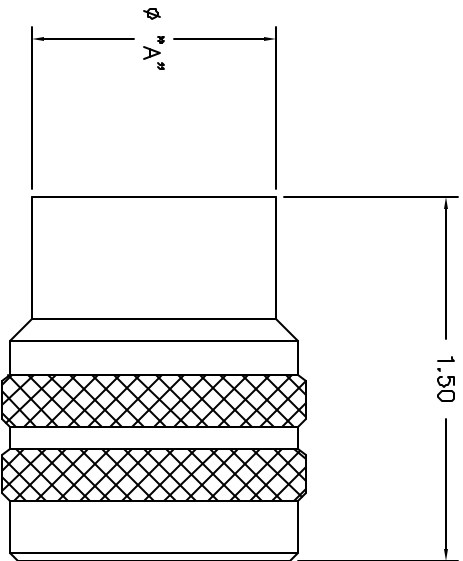


REVISIONS			
REV. NO.	DESCRIPTION	BY DATE	APP'D DATE
1	ORIGINAL RELEASE	10-20-97	10-97



PART NO.	DIM. "A"	DIM. "B"	DIM. "C"	REVISION POSITIONS
CM264-24	1.503	1.750	3/8	ALL
CM264-22	1.378	1.625	3/8	ALL
CM264-20	1.253	1.500	3/8	ALL
CM264-18	1.129	1.375	3/8	ALL
CM264-16	1.003	1.250	1/4	ALL
CM264-14	.878	1.125	1/4	ALL
CM264-12	.754	1.000	1/4	ALL
CM264-10	.595	.875	1/4	ALL
CM264-B	.474	.812	1/4	ALL

**UNCONTROLLED DOCUMENT
WILL NOT BE UPDATED**

RESTRICTED & CONFIDENTIAL MANUFACTURING INFORMATION PROPERTY OF DANIELS MANUFACTURING CORP. NOT TO BE REPRODUCED OR TRANSMITTED IN ANY FORM OR BY ANY MEANS EXCEPT AS AUTHORIZED IN WRITING BY DANIELS MANUFACTURING. MUST BE RETURNED TO DANIELS MANUFACTURING CORP. WITHIN 10 DAYS OF ORDER OR OTHER APPROPRIATE PERIOD.		MATERIAL	ITEM	PART NO.	QTY.	DESCRIPTION/REMARKS
		HEAT TREAT	DATE	DATE	DATE	DATE
DO NOT SCALE DRAWING		FINISH	DATE	DATE	DATE	DATE
TITLE		WHERE USED		CAD P/N	SHEET	OF
MIL-C-26482 SERIES 1 & 2 ENVELOPE DRAWING		ADAPTOR TOOL		CM-S-264-ENV	1	1
SCALE		SHEET		REV		
2X		1		1		
P/N		CM-S-264-ENV				