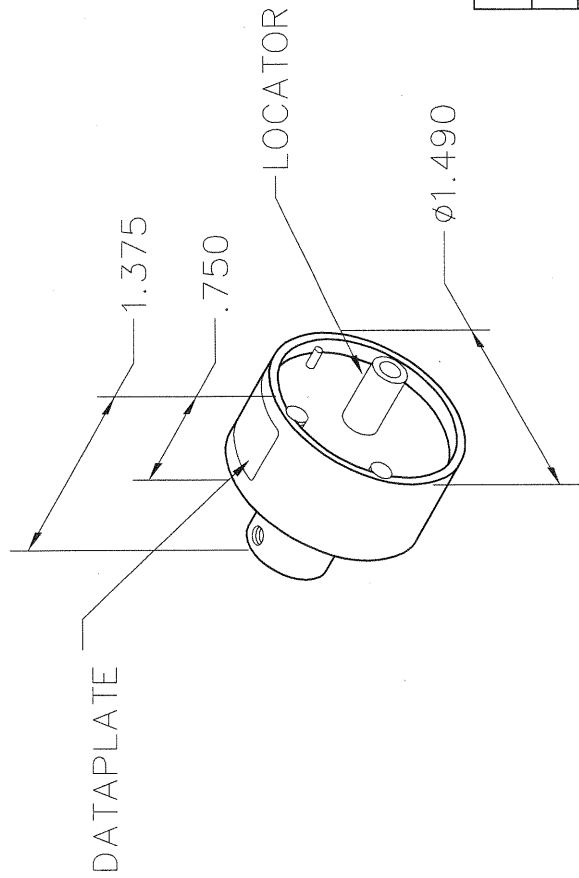


REVISIONS

REV. SYM.	E.C.O. NUMBER	DESCRIPTION	BY DATE	APP'D DATE
1		ORIGINAL RELEASE	AAM 12-11-00	RRR 12-11-00

**UNCONTROLLED DOCUMENT
WILL NOT BE UPDATED**

DIMENSIONS IN INCHES - UNLESS OTHERWISE SPECIFIED



CONTACTS	HARTING	TYPE	4	6	WIRE mm ²
09 32 000	6107	MALE	3		USE WITH M317 TOOL
09 32 000	6207	FEMELLE			
09 32 000	6108	MALE	6		
09 32 000	6208	FEMELLE			

DATAPLATE

LOCATOR	
HOLE DIMENSIONS	ADDITIONAL FEATURES
ø.161 ↕.841	┌┐ ø.240 ↕.625

RESTRICTED & CONFIDENTIAL

CONFIDENTIAL PROPERTY OF DANIELS MANUFACTURING CORP. NOT TO BE DISCLOSED TO OTHERS, REPRODUCED OR USED FOR ANY OTHER PURPOSE, EXCEPT AS AUTHORIZED IN WRITING BY DANIELS MANUFACTURING. MUST BE RETURNED TO DANIELS MANUFACTURING CORP. ON COMPLETION OF ORDER OR OTHER PURPOSE FOR WHICH LENT.

DO NOT SCALE DRAWING

DRN. A.	M00-YOUNG	DATE
CHK'D.	RRR	12-11-00
APP'D.		DATE
APP'D.		DATE

NOTE:
THIS DRAWING IS AN OUTLINE DRAWING OF THE RESPECTIVE DMC PART NUMBER INDICATED. ACTUAL DMC PART NUMBER IS DRAWING NUMBER WITHOUT THE "-ENV" SUFFIX.

SIZE	SCALE	CAD P/N	SHEET OF
A	NTS	TP957-ENV	1 1

DMC DANIELS MANUFACTURING CORP.
ORLANDO, FLORIDA
CAGE 11857

TITLE: ENVELOPE DRAWING
SINGLE POSITION HEAD

WHERE USED: M317

POSTING: TP957-ENV

DWG. NO. TP957-ENV

REV. 1