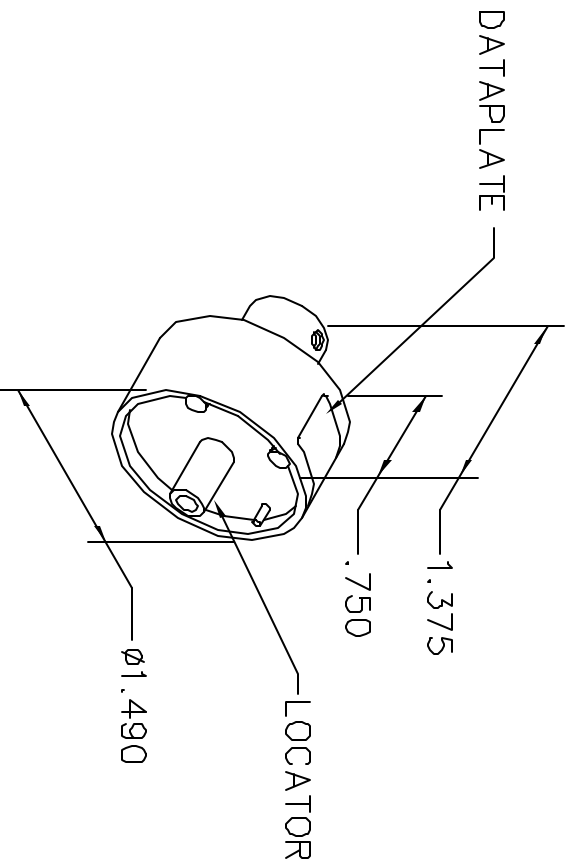


| REVISIONS |               |                  |            |            |
|-----------|---------------|------------------|------------|------------|
| REV. SYM. | E.C.D. NUMBER | DESCRIPTION      | BY DATE    | APP'D DATE |
| 1         |               | ORIGINAL RELEASE | JML 8/8/05 | RRR 8/8/05 |

**UNCONTROLLED DOCUMENT  
WILL NOT BE UPDATED**



|                |         |    |    |                 |
|----------------|---------|----|----|-----------------|
| CONTACTS       | 22      | 20 | 18 | WIRE            |
| FRB CONNECTRON | 2       | 3  | 4  | SELECTOR NUMBER |
|                | 72-0100 |    |    |                 |
|                | 0102-61 |    |    |                 |

DATAPLATE

|                      |                     |
|----------------------|---------------------|
| LOCATOR              |                     |
| HOLE DIMENSIONS      | ADDITIONAL FEATURES |
| ø.043<br>↕ 1.14 MIN. | └┘ ø.113<br>↕ .314  |

**RESTRICTED & CONFIDENTIAL**

CONFIDENTIAL PROPERTY OF DANIELS MANUFACTURING CORP. NOT TO BE DISCLOSED TO OTHERS, REPRODUCED OR USED FOR ANY OTHER PURPOSE, EXCEPT AS AUTHORIZED IN WRITING BY DANIELS MANUFACTURING. MUST BE RETURNED TO DANIELS MANUFACTURING CORP. ON COMPLETION OF ORDER OR OTHER PURPOSE FOR WHICH LENT.

DO NOT SCALE DRAWING

|   |             |  |  |
|---|-------------|--|--|
| DRN. J. JOYCE   | DATE 8/8/05 |  |  |
| CHKD. RRR   | DATE 8/8/05 |  |  |
| APP'D.  | DATE        | <b>TITLE</b><br>SINGLE POSITION HEAD ENVELOPE DRAWING  |  |
| APP'D.  | DATE        | WHERE USED: AF8/FT8<br>SIZE A SCALE NTS CAD P/N TP945-ENV SHEET 1 OF 1 POSTING DWG. NO. TP945-ENV REV. 1 |  |
| NOTE: THIS DRAWING IS AN OUTLINE DRAWING OF THE RESPECTIVE DMG PART NUMBER INDICATED. ACTUAL DMG PART NUMBER IS DRAWING NUMBER WITHOUT THE "-ENV" SUFFIX. |             |  |  |