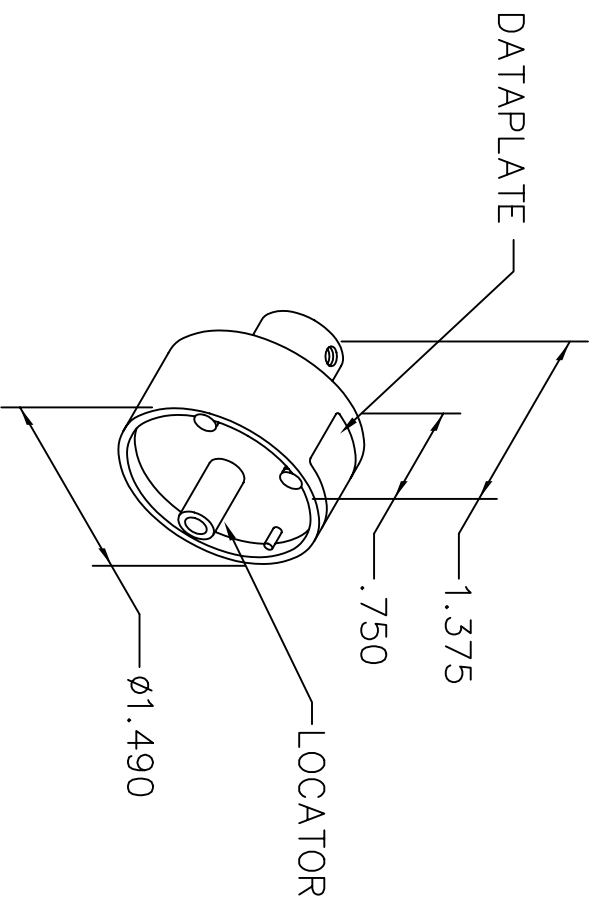


REV. SYM.		E.C.O. NUMBER	DESCRIPTION	BY DATE	APP'D DATE
3			USE WITH: GS2XE OR WA27XE-EP	AAM 6-9-03	RRR 6-9-03

**UNCONTROLLED DOCUMENT
WILL NOT BE UPDATED**



WIRE INSULATION DIAMETER RANGE	AMP SPARE WIRE CAPS	CRIMP COLOR CODE
MIN.	CATALOG NO.	RING AT CLOSE END INSUL DIA. RANGE RING COLOR CODE
MAX.		RING AT OPEN END RING COLOR CODE
.036	328854	GREEN
.044	328855	BLUE
.052	328856	YELLOW
.056	328857	BROWN
.065	328858	VIOLET
.075	328859	BLACK
.088	328860	GRAY

DATAPLATE

LOCATOR	
HOLE DIMENSIONS	ADDITIONAL FEATURES
	$\sqrt{\phi .180}$ $\nabla .090$

RESTRICTED & CONFIDENTIAL

CONFIDENTIAL PROPERTY OF DANIELS MANUFACTURING CORP. NOT TO BE DISCLOSED TO OTHERS, REPRODUCED OR USED FOR ANY OTHER PURPOSE, EXCEPT AS AUTHORIZED IN WRITING BY DANIELS MANUFACTURING. MUST BE RETURNED TO DANIELS MANUFACTURING CORP. ON COMPLETION OF ORDER OR OTHER PURPOSE FOR WHICH LENT.

DO NOT SCALE DRAWING

DRN. DVC	DATE 7/28/95	TITLE	
CHK'D. DE	DATE 7/95	ENVELOPE DRAWING SINGLE POSITION HEAD	
APP'D.	DATE	WHERE USED: GS2XE OR WA27XE-EP	
APP'D.	DATE	SIZE A	SCALE NTS
NOTE: THIS DRAWING IS AN OUTLINE DRAWING OF THE RESPECTIVE DMC PART NUMBER INDICATED. ACTUAL DMC PART NUMBER IS DRAWING NUMBER WITHOUT THE "-ENV" SUFFIX.		CAD P/N	SHEET 1 OF 1
		DWG. NO. TP918-ENV	REV. 3

DMC
DANIELS MANUFACTURING CORP.
ORLANDO, FLORIDA
CAGE 11851