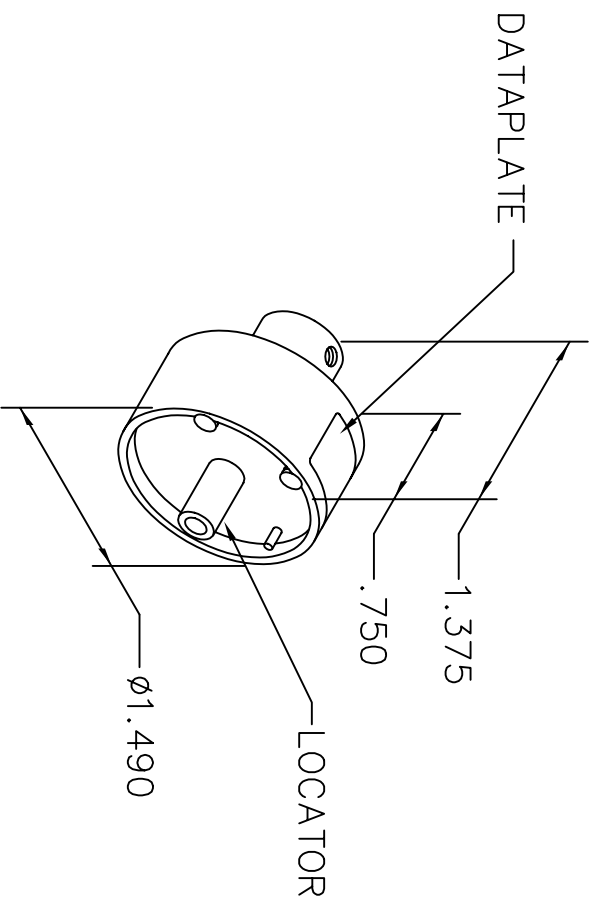


REVISIONS				
REV. SYM.	E.C.O. NUMBER	DESCRIPTION	BY DATE	APP'D DATE
1		ORIGINAL RELEASE	JWJ 12/23/03	RRR 12/23/03

**UNCONTROLLED DOCUMENT  
WILL NOT BE UPDATED**



CONTACT	FRB CONNECTRON	38-0300	2,50	4,00	5	WIRE
						mm <sup>2</sup>
			4			NO. OF SLS
						USE WITH M317 TOOL

DATAPLATE

LOCATOR	
HOLE DIMENSIONS	ADDITIONAL FEATURES
ø.125 ± 1.14 MIN.	L ± ø.302 ± .704

**RESTRICTED & CONFIDENTIAL**

CONFIDENTIAL PROPERTY OF DANIELS MANUFACTURING CORP. NOT TO BE DISCLOSED TO OTHERS, REPRODUCED OR USED FOR ANY OTHER PURPOSE, EXCEPT AS AUTHORIZED IN WRITING BY DANIELS MANUFACTURING. MUST BE RETURNED TO DANIELS MANUFACTURING CORP. ON COMPLETION OF ORDER OR OTHER PURPOSE FOR WHICH LENT.

DO NOT SCALE DRAWING

DRN.	J. JOYCE	DATE	12/23/03
CHK'D.	RRR	DATE	12/23/03
APP'D.		DATE	
APP'D.		DATE	

NOTE: THIS DRAWING IS AN OUTLINE DRAWING OF THE RESPECTIVE DMC PART NUMBER INDICATED. ACTUAL DMC PART NUMBER IS DRAWING NUMBER WITHOUT THE "-ENV" SUFFIX.

WHERE USED: M317

**DMC**  
DANIELS MANUFACTURING CORP.  
ORLANDO, FLORIDA  
CAGE 11851

TITLE  
SINGLE POSITION HEAD  
ENVELOPE DRAWING

SIZE	SCALE	CAD P/N	SHEET	OF
A	NTS	TP912-ENV	1	1
POSTING		DWG. NO.		REV.
		TP912-ENV		1