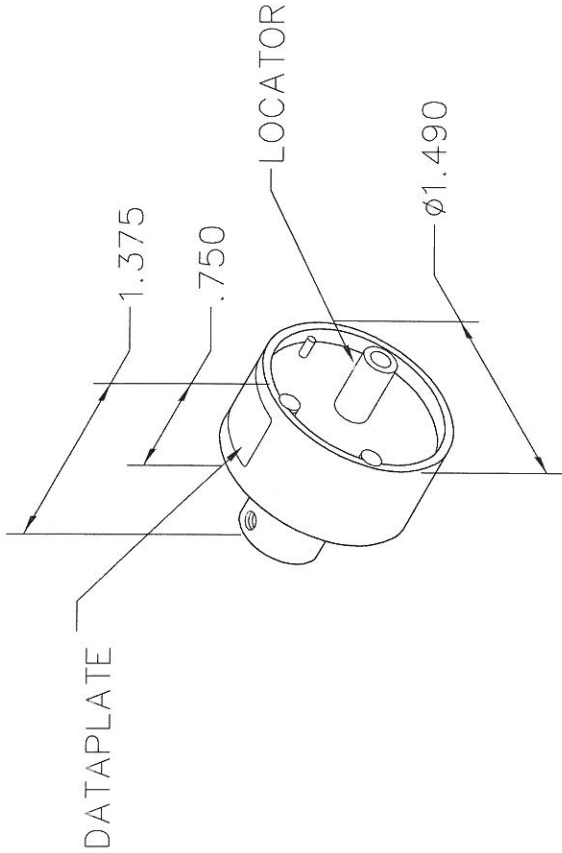


REVISIONS

REV. SYM.	E.C.O. NUMBER	DESCRIPTION	BY DATE	APP'D DATE
1		ORIGINAL RELEASE	DVC 1-31-95	AAM 1-31-95

**UNCONTROLLED DOCUMENT  
WILL NOT BE UPDATED**  
DIMENSIONS IN INCHES - UNLESS OTHERWISE SPECIFIED



AECMA CONTACTS	WIRE SIZE 22 AWG
EN3155-044 EN3155-045	USE WITH AF8-2 TOOL

DATAPLATE

LOCATOR	ADDITIONAL FEATURES
HOLE DIMENSIONS	
ø.082 ↓ .55	

**RESTRICTED & CONFIDENTIAL**  
CONFIDENTIAL PROPERTY OF DANIELS MANUFACTURING CORP. NOT TO BE DISCLOSED TO OTHERS, REPRODUCED OR USED FOR ANY OTHER PURPOSE, EXCEPT AS AUTHORIZED IN WRITING BY DANIELS MANUFACTURING. MUST BE RETURNED TO DANIELS MANUFACTURING CORP. ON COMPLETION OF ORDER OR OTHER PURPOSE FOR WHICH LENT.

**DO NOT SCALE DRAWING**

DRN	DUNG CAO	DATE	1-31-95
CHK'D.	AAM	DATE	1-31-95
APP'D.		DATE	
APP'D.		DATE	

**NOTE:**  
THIS DRAWING IS AN OUTLINE DRAWING OF THE RESPECTIVE DMC PART NUMBER INDICATED. ACTUAL DMC PART NUMBER IS DRAWING NUMBER WITHOUT THE "-ENV" SUFFIX.

<b>DMC</b>	DANIELS MANUFACTURING CORP. ORLANDO, FLORIDA CAGE 11851
TITLE	ENVELOPE DRAWING SINGLE POSITION HEAD
WHERE USED: AF8-2	
SIZE	A
SCALE	NONE
CAD P/N	TP907-ENV
SHEET	1
OF	1
POSTING	
DWG. NO.	TP907-ENV
REV.	1